

# Concrete Delivery line SK 125/5,5 HD 130 bar



## ST 52 Plus high pressure SK 125/5,5 (7,1 mm)

### Delivery line:

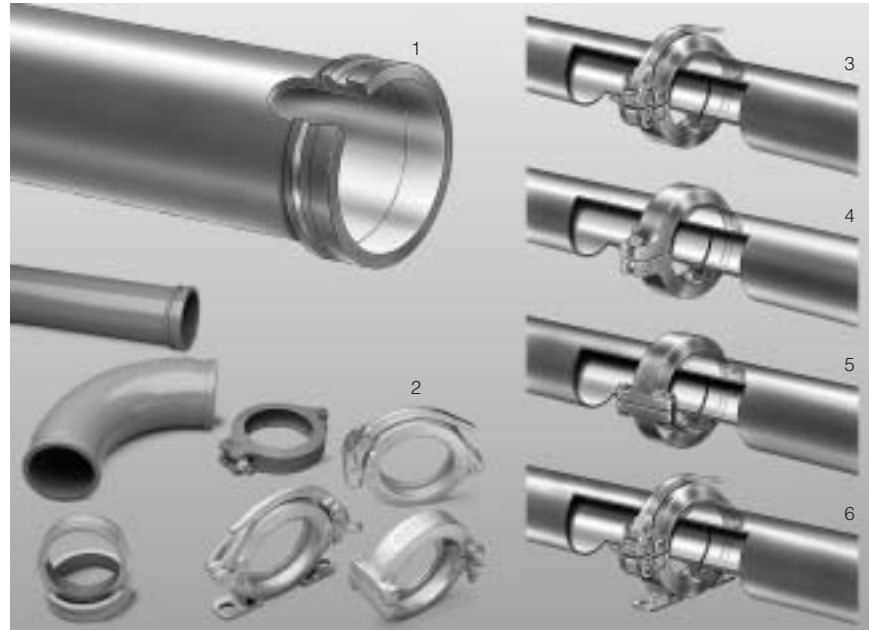
Operating pressure 130 bar, statically calculated for abrasive media

### Delivery elbows:

Manganese hard cast

### Delivery hoses:

Operating pressure 85 bar,  
2 x safety, 4 steel cord inserts,  
wall thickness 16 mm with hardened  
squeeze-in sockets



### Technical dimensions:

#### Pipe

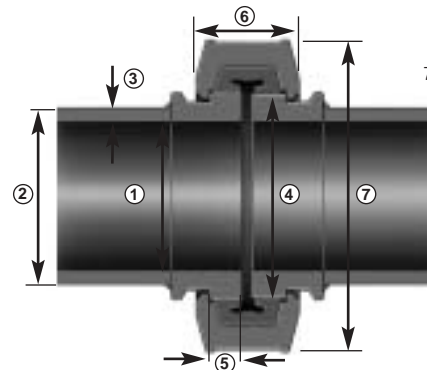
1. Inside diameter	125 mm
2. Outside diameter	139,7 mm
3. Wall thickness	7,1 mm
Weight	13,30 kg

#### Welding ring

4. Outside diameter	148 mm
5. Shoulder measurement	17 mm

#### Lever coupling

6. Width	50 mm
7. Outside diameter (incl. lever)	198 mm
8. max. mounting radius	137 mm



### Couplings / Seals

Designation	Part-No.	Price/unit EUR	Approx. weight kg	Partgroup/ RST
Lever coupling SK-H up to 130 bar	055469.007	90,50	6,0	6
Mounting coupling SK-H up to 130 bar	239932.004	105,00	6,8	5
Seal A non-divided	055559.001	1,50	0,2	6
Seal A Viton non-divided	257722.005	226,00	0,3	5
Seal C Trilipp non-divided	081669.004	1,90	0,2	6
Safety split pin	018878.004	2,50	0,1	6

### Delivery pipes

Designation	Part-No.	Price/unit EUR	Approx. weight unit/kg	Partgroup/ RST
Delivery pipe 500 lg	274566.008	84,10	12,3	6
Delivery pipe 1000 lg	274558.003	95,00	24,0	6
Delivery pipe 2000 lg	274562.002	139,00	46,0	6
Delivery pipe 3000 lg	274570.007	162,00	70,0	6
Delivery pipe 6000 lg	279399.005	on request		
Raw pipe iapprox. 6000 lg	005464.007	on request		
Welding ring	056852.008	8,10	1,2	6

### Standard concrete delivery line DN 125 mm - 5 1/2 ; 50 m long, consisting of:

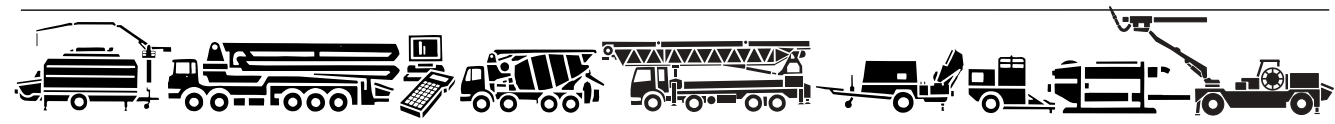
Amount	Designation	Part no.	Price/unit EUR	Approx. weight/ unit/kg
15	Delivery pipe 3000 lg	274570.007	162,00	70,0
2	Delivery pipe 2000 lg	274562.002	135,00	46,0
1	Delivery pipe 1000 lg	274558.003	92,20	24,0
3	Delivery pipe elbow 90°	055725.000	59,90	14,6
2	Delivery pipe elbow 45°	057596.004	79,30	6,8
1	Delivery pipe elbow 90° R 1000	223664.003	398,00	36,5
25	Lever coupling SK-H	055469.007	90,50	8,0
25	Seal A	055559.001	1,50	0,2
25	Safety split pin	018878.004	2,50	0,1
4	Sponge ball	018841.002	8,90	0,4
	<b>Total</b>		<b>5989,60</b>	<b>1469,0</b>

### Standard concrete delivery line DN 125 mm - 5 1/2 ; 100 m long, consisting of:

Amount	Designation	Part no.	Price/unit EUR	Approx. weight/ unit/kg
32	Delivery pipe 3000 lg	274570.007	162,00	70,0
2	Delivery pipe 2000 lg	274562.002	139,00	46,0
2	Delivery pipe 1000 lg	274558.003	95,00	24,0
6	Delivery pipe elbow 90°	055725.000	59,90	16,0
2	Delivery pipe elbow 45°	057596.004	79,30	6,8
1	Delivery pipe elbow 90° R 1000	223664.003	398,00	36,5
45	Lever coupling SK-H	055469.007	90,50	6,0
45	Seal A	055559.001	1,50	0,2
45	Safety split pin	018878.004	2,50	0,1
10	Sponge ball	018841.002	8,90	0,4
	<b>Total</b>		<b>10986,90</b>	<b>2893,5</b>

### Standard concrete delivery line DN 125 mm -5 1/2 ; 200 m long, consisting of:

Amount	Designation	Part no.	Price/unit EUR	Approx. weight/ unit/kg
65	Delivery pipe 3000 lg	274570.007	162,00	70,0
2	Delivery pipe 2000 lg	274562.002	139,00	46,0
1	Delivery pipe 1000 lg	274558.003	59,90	24,0
10	Delivery pipe elbow 90°	055725.000	81,30	16,0
2	Delivery pipe elbow 45°	057596.004	79,30	6,8
2	Delivery pipe elbow 90° R 1000	223664.003	398,00	36,5
82	Lever coupling SK-H	055469.007	90,50	6,0
82	Seal A	055559.001	1,50	0,2
82	safety split pin	018878.004	2,50	0,1
10	Sponge ball	018841.002	8,90	0,4
	<b>Total</b>		<b>20494,80</b>	<b>5583,2</b>



#### Putzmeister Products and Services:

- PM-Concrete Pumps
- PM-Systems Engineering PAT
- PM-Telebelt
- PM-Mörtelmaschinen GmbH
- PM-Dynajet High Pressure Cleaners
- PM-Services
- PM-Concrete Project Division CPD
- PM-Consulting und Data Technology PCD
- PM-Academie GmbH



Putzmeister AG  
Max-Eyth-Str. 10 · D-72631 Aichtal  
P.O. Box 2152 · D-72629 Aichtal  
Tel. +49 (71 27) 599-0  
Fax +49 (71 27) 599-520  
Internet: <http://www.putzmeister.de>  
E-mail: [pmw@pmw.de](mailto:pmw@pmw.de)

### Compensation pipe, complete

Designation	Part-No.	Price/unit EUR	Approx. weight unit/kg	Partgroup/ RST
Compensation pipe up to 500 lg	279318.002	109,00		6
Compensation pipe 501 - 1000 lg	279319.001	127,00		5
Compensation pipe 1001 - 1500 lg	279320.003	151,00		6
Compensation pipe 1501 - 2000 lg	279321.002	170,00		5
Compensation pipe 2001 - 2500 lg	279322.001	188,00		5
Compensation pipe 2501 - 3000 lg	279323.000	207,00		5
Compensation pipe 3001 - 3500 lg	279324.009	228,00		5
Compensation pipe 3501 - 4000 lg	279325.008	246,00		5
Compensation pipe 4001 - 4500 lg	279326.007	264,00		5
Compensation pipe 4501 - 5000 lg	296298.008	on request		5
Compensation pipe 5001 - 5500 lg	296299.007	on request		5

### Delivery pipe elbows

Designation	Part-No.	Price/unit EUR	Approx. weight unit/kg	Partgroup/ RST
Delivery pipe elbow 30° HD, Cast r = 275	258935.008	49,60	4,9	6
Delivery pipe elbow 45° HD, Cast r = 275	057596.004	79,30	6,8	6
Delivery pipe elbow 90° HD, Cast r = 281	055725.000	59,90	16,0	6
Delivery pipe elbow 90° HD, Cast r = 180	024783.002	132,00	11,3	6
Delivery pipe elbow 90° HD, with worked ends	261402.007	59,30	15,9	6

### Big radius elbows

Designation	Part-No.	Price/unit EUR	Approx. weight unit/kg	Partgroup/ RST
Big radius elbows 15° HD, r= 1000	223667.000	236,00	14,0	6
Big radius elbows 30° HD, r= 1000	223666.001	319,00	20,0	6
Big radius elbows 45° HD, r= 1000	223665.002	337,00	26,0	6
Big radius elbows 90° HD, r= 1000	223664.003	398,00	36,5	6

### Delivery hoses, fixed on both sides, 85 bar

Designation	Part-No.	Price/unit EUR	Approx. weight unit/kg	Partgroup/ RST
Delivery hose 2000 lg	027643.000	510,00	34,0	6
Delivery hose 2200 lg	224815.000	541,00	35,0	5
Delivery hose 2700 lg	225838.002	on request	40,0	5
Delivery hose 3000 lg	057611.002	465,00	50,0	6
Delivery hose 4000 lg	089983.009	560,00	59,0	6
Delivery hose 5000 lg	057612.001	655,00	70,0	6
Delivery hose 6000 lg	057613.000	825,00	85,0	6
Delivery hose 10000 lg	259907.006	1430,00	118,0	6
Delivery hose 12000 lg	259489.003	on request	138,0	5

### End hoses, fixed on one side, 85 bar

Designation	Part-No.	Price/unit EUR	Approx. weight unit/kg	Partgroup/ RST
End hose 1000 lg	244927.004	on request	19,0	5
End hose 3000 lg	233649.005	357,00	38,0	6
End hose 4000 lg	242838.001	456,00	50,0	6
End hose 5000 lg	239129.008	842,00	61,0	6

### Reductions/transition pieces

Designation	Part-No.	Price/unit EUR	Approx. weight unit/kg	Partgroup/ RST
Transition piece SK 150/6" - SK 125/5,5" 200 lg	081050.008	132,00	7,9	6
Transition piece SK 150/6" - SK 125/5,5" 100 lg	081489.006	115,00	4,5	5
Transition piece SK 125/5,5" - SK 100/4,5" 100 lg	083460.007	163,00	2,4	5
Übergangsstück SK 125/5,5" - SK 100/4" 100 lg	083374.009	110,00	3,5	5
Übergangsstück SK 125/5,5" - SK 120/5" 100 lg	058372.007	100,00	3,5	6

### Cleaning accessories

Designation	Part-No.	Price/unit EUR	Approx. weight unit/kg	Partgroup/ RST
Sponge ball soft	230229.004	7,90	0,3	6
Sponge ball average	018841.002	8,90	0,4	6
Sponge ball hard	223673.007	13,90	0,6	6
Sponge cube for suction cleaning	063567.001	4,60	0,3	6
Cleaning scraper for stationary lines	253953.001	137,00	1,9	5

### Shut-off valves / Transfer tubes and accessories

Designation	Part-No.	Price/unit EUR	Approx. weight unit/kg	Partgroup/ RST
Manual shut-off valve GVM 2/2	050319.000	1399,00	60,0	5
Hydr. shut-off valve GVH 2/2, 130 bar with end switch	220560.003	5673,00	230,0	5
Hydr. shut-off valve GVH 2/2, 130 bar	220558.002	5297,00	1212,0	5
Transfer tube PVM 5/2	024639.004	8138,00	280,0	5
Transfer tube PVM 5/2	223391.004	on request		
Hydraulic unit hand pump without accumulator	293604.006	1316,00	37,0	5
Electric-hydraulic unit hand control valve up to 315 bar	050485.002	5595,00	190,0	5
Connection accessories for shut-off valve on concrete pump consisting of:				
control block 220 bar, hydraulic hoses with fittings	025105.003	848,00	8,2	5
Hydr. connection hose RAD 12 à 5 m length				
- concrete pump to shut-off valve (min. 4 pcs. required)	042950.008	89,20	3,2	5
Hydr. connection hose RAD 12 à 10 m length				
- concrete pump to shut-off valve (min. 2 pcs. required)	240583.002	141,00	7,0	5
Fittings B-GV 12 L (2 pcs. required)	043236.006	8,20	0,1	5
Hydraulic units with electric valves, control cabinet and remote control		on request		

### Other accessories

Designation	Part-No.	Price/unit EUR	Approx. weight unit/kg	Partgroup/ RST
Pipe attachment cpl.	273606.008	26,70	2,1	5
Wall thickness gauge digital	277434.001	1020,00	0,9	7

This brochure is subject to permanent pricing. The quoted prices are not binding. On request we shall be pleased to submit a detailed quotation. 05/2003.