

Concrete Delivery line PX-Ultraflex 75



PX 75/3 low pressure

Delivery line:

Operating pressure 85 bar, statically calculated for abrasive media.

Delivery elbows:

Steel elbows with wear protection.

Delivery hoses:

Operating pressure 85 bar, safety factor 2, 4-layer steel wire with hardened pressed fittings.



Technical dimensions:

Hose

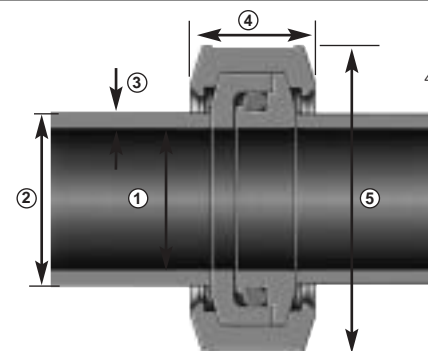
1. Inside diameter	75 mm
2. Outside diameter	96 mm
3. Wall thickness	10,5 mm

Delivery pipe

1. Inside diameter	74.5 mm
2. Outside diameter	82.5 mm
3. Wall thickness	4 mm

Coupling

4. Width	46 mm
5. Outside diameter (incl. lever)	198 mm



Couplings / Seals

Designation		Part-No.	Price/unit EUR	Approx. weight unit/kg	Partgroup/ RST
Lever coupling	SK-H	059505.006	22,90	2,7	6
Seal	81 x 7	230810.002	4,20	0,1	5
Safety pin		018878.004	2,50	0,2	6

Delivery hoses

Designation		Part-No.	Price/unit EUR	Approx. weight unit/kg	Partgroup/ RST
Delivery hose	3000 mm	269937.008	345,00		6
Delivery hose	5000 mm	262936.006	432,00		6
Delivery hose	10000 mm	285297.007	820,00		6

Reductions / Transition pieces

Designation		Part-No.	Price/unit EUR	Approx. weight unit/kg	Partgroup/ RST
Reduction pipe	SK-4,5 PXM 75, 1000 mm	263389.005	286,00		5
Reduction pipe	ZXV 100 PXM 75, 1000 mm	263390.007	301,00		5
Reduction pipe	SK-5,5 PXM 75, 2000 mm	266450.009	391,00		5
Transition piece	PXV 75 - PYM 65, 100 mm	289225.004	180,00		5
Transition piece	PXV 75 - SK 65-3, 100 mm	289226.003	178,00		5

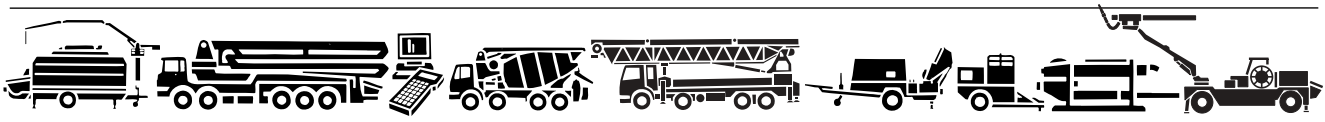
Cleaning accessories

Designation		Part-No.	Price/unit EUR	Approx. weight unit/kg	Partgroup/ RST
Sponge ball	medium	000246.000	3,10	0,1	5
Catching basket	PXV 75	279230.009	on request		
Cleaning port	PXM 75, without pressure gauge	263392.005	221,00		5

PX 75 as pipeline – Delivery pipes

Designation		Part-No.	Price/unit EUR	Approx. weight unit/kg	Partgroup/ RST
Delivery pipe	1000 mm	275804.002	on request		
Delivery pipe	2000 mm	275805.001	on request		
Delivery pipe	3000 mm	275808.008	on request		
Delivery pipe	6000 mm	275809.007	on request		
Raw pipe	approx. 6000 mm lg	275235.008	on request		
Welding ring	PXM	278121.009	on request	0,6	5
Welding ring	PXV	278120.000	on request	0,5	5

This brochure is subject to permanent pricing. The quoted prices are not binding.
On request we shall be pleased to submit a detailed quotation. 05/2003.



Putzmeister Products and Services:

PM-Concrete Pumps
PM-Systems Engineering PAT
PM-Telebelt
PM-Mörtelmaschinen GmbH
PM-Dynajet High Pressure Cleaners
PM-Services
PM-Concrete Project Division CPD
PM-Consulting und Data Technology PCD
PM-Academie GmbH



Putzmeister AG
 Max-Eyth-Str. 10 · D-72631 Aichtal
 P.O. Box 2152 · D-72629 Aichtal
 Tel. +49 (71 27) 599-0
 Fax +49 (71 27) 599-520
 Internet: <http://www.putzmeister.de>
 E-mail: pmw@pmw.de

III: 1/12805-2, 2/KS 69967, 3/KS 69961, 4/KS 69970