

# Concrete Delivery line PX-Ultraflex 65



## PX 65/3 low pressure

### Delivery line:

Operating pressure 85 bar, statically calculated for abrasive media.

### Delivery elbows:

Steel elbows with wear protection.

### Delivery hoses:

Operating pressure 85 bar, safety factor 2, 4-layer steel wire with hardened pressed fittings.



### Technical dimensions:

#### Hose

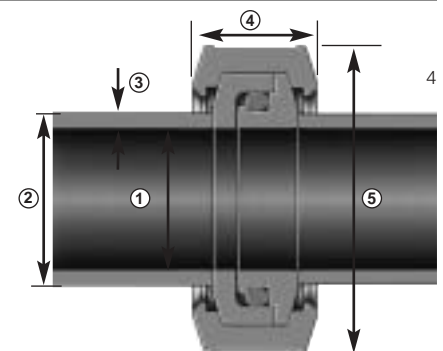
1. Inside diameter	65 mm
2. Outside diameter	88 mm
3. Wall thickness	11,5 mm

#### Delivery pipe

1. Inside diameter	64 mm
2. Outside diameter	70 mm
3. Wall thickness	3 mm

#### Coupling

4. Width	46 mm
5. Outside diameter (incl. lever)	198 mm



## Couplings / Seals

Designation		Part-No.	Price/unit EUR	Approx. weight unit/kg	Partgroup/ RST
Lever coupling	SK-H	059505.006	22,90	2,7	6
Seal	70 x 8	013154.008	1,40	0,1	5
Safety pin		018878.004	2,50	0,2	6

## Delivery hoses

Designation		Part-No.	Price/unit EUR	Approx. weight unit/kg	Partgroup/ RST
Delivery hose	3000 mm	291457.006	241,00		6
Delivery hose	4500 mm	258195.000	294,00		6
Delivery hose	4600 mm	256268.007	322,00		6
Delivery hose	5000 mm	253868.002	300,00		6
Delivery hose	10000 mm	256129.007	508,00		6

## Reductions / Transition pieces

Designation		Part-No.	Price/unit EUR	Approx. weight unit/kg	Partgroup/ RST
Transition piece	SK-3 PXM 65 x 60	253891.008	41,60	5	
Transition piece	SK-3 PXV 65 x 60	253986.007	41,60	5	
Reduction pipe	SK-4 PXM 65, 1000 mm	256247.002	219,00	6	
Reduction pipe	SK-4.5 PXM 65, 1000 mm	256246.003	200,00	6	
Reduction pipe	SK-5.5 PXM 65, 2000 mm	274220.001	on request		
Reduction pipe	SK-5.5 PXM 65, 1000 mm	274367.003	on request		

## Cleaning accessories

Designation		Part-No.	Price/unit EUR	Approx. weight unit/kg	Partgroup/ RST
Sponge ball	medium	000246.000	3,10	0,1	5
Catching basket	PXV 65	279225.001	on request		
Cleaning port	PXM 65, with pressure gauge	261590.003	314,00		5
Cleaning port	PXM 65, w/o pressure gauge	259837.008	221,00		5
Cleaning port	PXV 65, with pressure gauge	259841.007	311,00		5
Cleaning port	PXV 65, w/o pressure gauge	259835.000	on request		

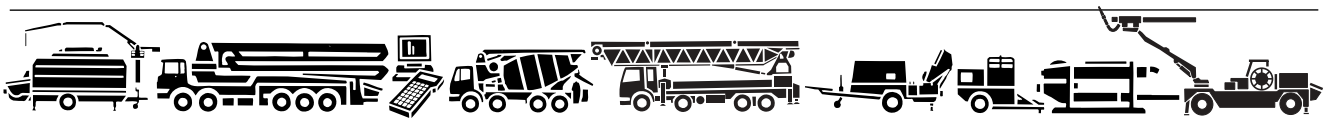
## PX 65 as pipeline – Delivery pipes

Designation		Part-No.	Price/unit EUR	Approx. weight unit/kg	Partgroup/ RST
Delivery pipe	1000 mm	257743.000	on request		
Delivery pipe	2000 mm	257744.009	on request		
Delivery pipe	3000 mm	257745.008	on request		
Delivery pipe	6000 mm	257746.007	on request		
Delivery pipe	8000 mm	258799.008	on request		
Raw pipe	approx. 6000 mm lg	005370.007	on request		
Welding ring	PXM	252547.007	11,60	0,6	5
Welding ring	PXV	252548.006	30,90	0,5	5

## Delivery elbows

Designation		Part-No.	Price/unit EUR	Approx. weight unit/kg	Partgroup/ RST
Delivery elbow	10GR.ND	282394.000	on request		
Delivery elbow	15GR.ND	282393.001	on request		
Delivery elbow	30GR.ND	282392.002	on request		
Delivery elbow	45GR.ND	259941.004	on request		
Delivery elbow	90GR.ND	259940.005	on request		

This brochure is subject to permanent pricing. The quoted prices are not binding. On request we shall be pleased to submit a detailed quotation. 05/2003.



Putzmeister Products and Services:

PM-Concrete Pumps  
 PM-Systems Engineering PAT  
 PM-Telebelt  
 PM-Mörtelmaschinen GmbH  
 PM-Dynajet High Pressure Cleaners  
 PM-Services  
 PM-Concrete Project Division CPD  
 PM-Consulting und Data Technology PCD  
 PM-Academie GmbH



Putzmeister AG  
 Max-Eyth-Str. 10 · D-72631 Aichtal  
 P.O. Box 2152 · D-72629 Aichtal  
 Tel. +49 (71 27) 599-0  
 Fax +49 (71 27) 599-520  
 Internet: <http://www.putzmeister.de>  
 E-mail: [pmw@pmw.de](mailto:pmw@pmw.de)

III: 1/12805-2, 2/KS 69967, 3/KS 69961, 4/KS 69970