

Concrete Delivery line ZX 200/8 HP 130 bar



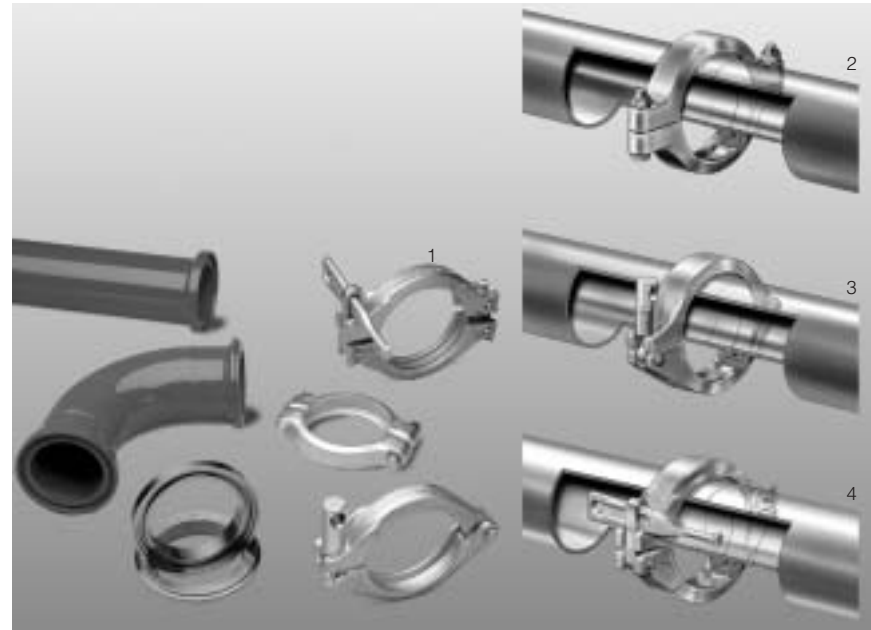
ZX 200/8 HP 130 bar – ST 52 Plus

Delivery line:

Operating pressure 130 bar, statically calculated for abrasive media. A ZX line always begins with ZXV-connection and ends with ZXM-connection.

Delivery elbows:

Steel elbow with wear protection.



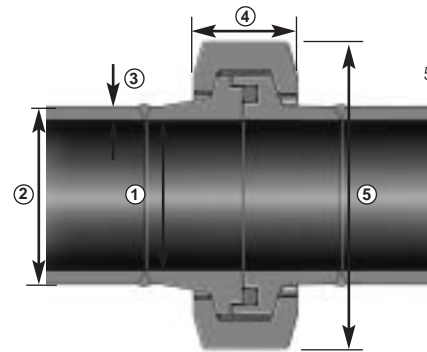
Technical dimensions:

Pipe

1. Inside diameter	200 mm
2. Outside diameter	216 mm
3. Wall thickness	8 mm

Coupling

4. Width	64 mm
5. Outside diameter max. Screw version	405 mm



Couplings / Seals

Designation	Part-No.	Price/unit EUR	Approx. weight unit/kg	Partgroup/ RST
Screw coupling ZX-S	234471.007	156,60	8,50	
Seal 220.0 x 10.0	043520.000	9,50	0,10	5

Delivery pipes / Welding rings

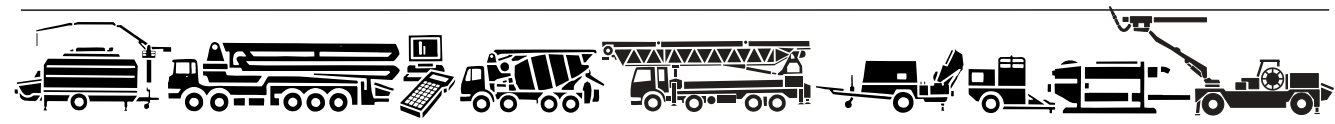
Designation	Part-No.	Price/unit EUR	Approx. weight unit/kg	Partgroup/ RST
Delivery pipe 1000 mm lg	028472.005	548,00	44,5	5
Delivery pipe 2000 mm lg	028473.004	567,00	85,4	5
Delivery pipe 3000 mm lg	028474.003	624,00	132,0	5
Delivery pipe 6000 mm lg	028475.002	1183,00	243,2	5
Raw pipe approx. 6000 mm lg	005468.003	on request		
Welding ring ZXV	234168.006	107,00	4,0	5
Welding ring ZXM	234167.007	102,00	3,9	5

Standard concrete delivery line ZX 200, 100 m long, consisting of:

Quantity	Designation	Part-No.	Price/unit EUR	Approx. weight kg
32	Delivery pipe 3000 mm lg	028474.003	624,00	132,0
2	Delivery pipe 2000 mm lg	028473.004	567,00	85,4
2	Delivery pipe 1000 mm lg	028472.005	548,00	44,5
6	Large radius elbow 90°, r = 1000	229112.009	1619,00	77,8
2	Large radius elbow 45°, r = 1000	229113.008	1052,00	40,0
45	ZX-S-coupling	234471.007	on request	8,5
45	Seal	043520.000	9,50	0,1
6	Sponge ball	065348.008	51,70	0,9
	Total		40594,00	5229,9

Standard concrete delivery line ZX 200, 200 m long, consisting of:

Quantity	Designation	Part-No.	Price/unit EUR	Approx. weight kg
65	Delivery pipe 3000 mm lg	028474.003	624,00	132,0
2	Delivery pipe 2000 mm lg	028473.004	567,00	85,4
1	Delivery pipe 1000 mm lg	028472.005	548,00	44,5
10	Large radius elbow 90°, r = 1000	229112.009	1619,00	77,8
2	Large radius elbow 45°, r = 1000	229113.008	1052,00	53,2
82	ZX-S-coupling	234471.007	on request	8,5
82	Seal	043520.000	9,50	0,1
10	Sponge ball	065348.008	51,70	0,9
	Total		72519,40	9947,0



Putzmeister Products and Services:

- PM-Concrete Pumps
- PM-Systems Engineering PAT
- PM-Telebelt
- PM-Mörtelmaschinen GmbH
- PM-Dynajet High Pressure Cleaners
- PM-Services
- PM-Concrete Project Division CPD
- PM-Consulting und Data Technology PCD
- PM-Academie GmbH



Putzmeister AG
Max-Eyth-Str. 10 · D-72631 Aichtal
P.O. Box 2152 · D-72629 Aichtal
Tel. +49 (71 27) 599-0
Fax +49 (71 27) 599-520
Internet: <http://www.putzmeister.de>
E-mail: pmw@pmw.de

Delivery elbows

Designation		Part-No.	Price/unit EUR	Approx. weight unit/kg	Partgroup/ RST
Delivery elbow	15°, r = 281 HP	235246.008	on request		
Delivery elbow	30°, r = 281 HP	235245.009	on request		
Delivery elbow	45°, r = 281 HP	235244.000	on request	19,3	5
Delivery elbow	90°, r = 281 HP	235243.001	on request	34,5	5

Large radius elbows

Designation		Part-No.	Price/unit EUR	Approx. weight unit/kg	Partgroup/ RST
Large radius elbow	30°, r= 1000 HP	229114.007	1027,00	34,8	5
Large radius elbow	45°, r= 1000 HP	229113.008	1052,00	40,0	5
Large radius elbow	90°, r= 1000 HP	229112.009	1619,00	86,0	5

Reductions / Transition pieces

Designation		Part-No.	Price/unit EUR	Approx. weight unit/kg	Partgroup/ RST
Reduction piece	ZXV 200 - SK150/6, 200 mm lg	265395.000	671,00	15,4	5

Cleaning accessories

Designation		Part-No.	Price/unit EUR	Approx. weight unit/kg	Partgroup/ RST
Sponge ball	DN 220	065348.008	51,70	0,9	5
Sponge cube	DN 180/200				
	for suction cleaning	086861.001	7,60	0,5	5
Catching basket	for sponge ball	on request			
Cleaning lid	ZXV	on request			

Shut-off valves / Transfer tubes and accessories

Designation		Part-No.	Price/unit EUR	Approx. weight unit/kg	Partgroup/ RST
Hydr. shut-off valve	GVH 2/2, 130 bar w. end switch	028634.005	14253,00		5
Hydr. shut-off valve	GVH 2/2, 130 bar	088451.008	13489,00		5
Hydr. shut-off valve	GVH 4/2, 130 bar	230054.004	on request		
Hydr. shut-off valve	GVH 4/2, 130 bar w. end switch	230068.003	13238,00		5
Hydraulic unit	with manual pump				
	without accumulator	293604/6	13160,00		5
Hydraulic unit	with electric drive				
	and manual control valve	050485.002	5595,00	190,0	5
Connection accessories for shut-off valve on concrete pump consisting of:					
control block 220 bar, hydraulic hoses with fittings		025105.003	848,00	8,2	5
Hydr. connection hose RAD 12 à 5 m length					
- concrete pump to shut-off valve (min. 4 pcs. required)		042950.008	89,90	3,2	5
Hydr. connection hose RAD 12 à 10 m length					
- concrete pump to shut-off valve (min. 2 pcs. required)		240583.002	141,00	7,0	5
Fittings B-GV 12 L (2 pcs. required)		043236.006	8,20	0,1	5
Hydraulic units with electric valves, control cabinet and remote control			on request		

Other accessories

Designation		Part-No.	Price/unit EUR	Approx. weight unit/kg	Partgroup/ RST
T-delivery pipe	1000 mm lg HP	on request			
Lid	ZXV 200	220079.002	199,00	6,9	5
Wall thickness measuring unit		277434.001	1020,00	1,0	7

This brochure is subject to permanent pricing. The quoted prices are not binding. On request we shall be pleased to submit a detailed quotation. 05/2003.