

Concrete Delivery line ZX 150/6 HP 130 bar



ZX 150/6 HP 130 bar – ST 52 Plus

Delivery line:

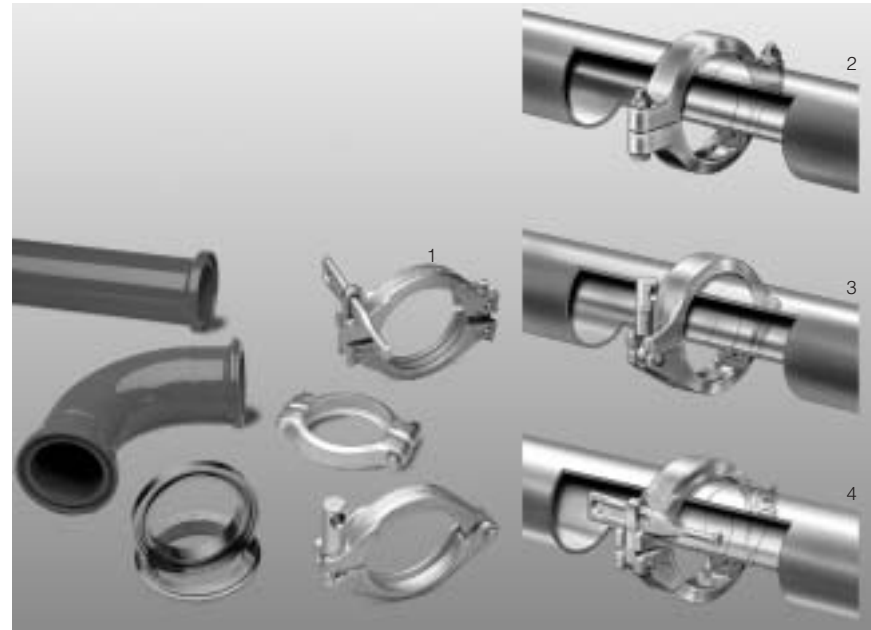
Operating pressure 130 bar, statically calculated for abrasive media. A ZX-line always begins with a ZXV-connection and ends with a ZXM-connection.

Delivery elbows:

Steel elbow with wear protection.

Delivery hoses:

SK-System with transition piece ZX, operating pressure 85 bar, safety factor 2, 4-layer steel wire, wall thickness 16 mm with hardened pressed fittings.



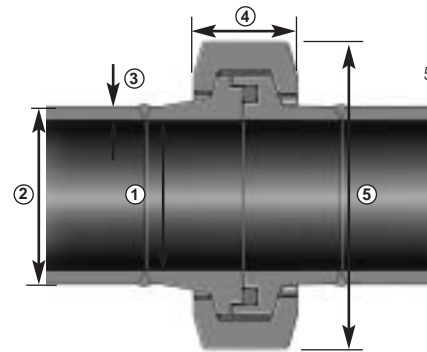
Technical dimensions:

Pipe

1. Inside diameter	150.7 mm
2. Outside diameter	168.3 mm
3. Wall thickness	8.8 mm

Coupling

4. Width	60 mm
5. Outside diameter max.	
Screw version	340 mm
One-bolt version	430 mm
Wedge version	365 mm



Couplings / Seals

Designation	Part-No.	Price/unit EUR	Approx. weight unit/kg	Partgroup/ RST
Screw coupling ZX-S	241291.005	77,20	12,0	5
One-bolt coupling ZX-K	241292.004	125,00	9,5	6
Wedge coupling ZX-W	240948.003	136,00	10,5	6
Seal 170.81 x 7.0	069042.009	2,50	0,1	5

Delivery pipes / Welding rings

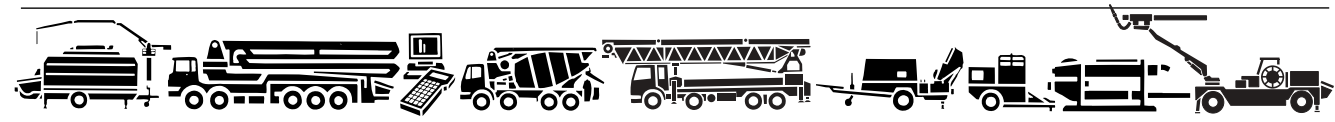
Designation	Part-No.	Price/unit EUR	Approx. weight unit/kg	Partgroup/ RST
Delivery pipe 500 mm lg	243215.005	on request	27,0	
Delivery pipe 1000 mm lg	243216.004	252,00		5
Delivery pipe 2000 mm lg	243217.003	313,00	36,5	5
Delivery pipe 3000 mm lg	243218.002	379,00	108,0	5
Delivery pipe 6000 mm lg	243219.001	625,00		5
Raw pipe approx. 6000 mm lg	004614.007	on request		
Welding ring ZXV	244008.004	67,80	2,1	5
Welding ring ZXM	244028.000	72,70	2,3	5

Standard concrete delivery line ZX 150, 100 m long, consisting of:

Quantity	Designation	Part-No.	Price/unit EUR	Approx. weight kg
32	Delivery pipe 3.0 m	243218.002	379,00	on request
2	Delivery pipe 2.0 m	243217.003	313,00	on request
2	Delivery pipe 1.0 m	243216.004	252,00	on request
6	Large radius elbow 90°, r = 1000	244207.009	1118,00	on request
2	Large radius elbow 45°, r = 1000	244208.008	780,00	on request
45	ZX-S-coupling	241291.005	77,20	on request
45	Seal	069042.009	2,80	on request
6	Sponge ball	026650.007	15,20	on request
	Total		23347,20	on request

Standard concrete delivery line ZX 150, 200 m long, consisting of:

Quantity	Designation	Part-No.	Price/unit EUR	Approx. weight kg
65	Delivery pipe 3000 mm lg	243218.002	379,00	on request
2	Delivery pipe 2000 mm lg	243217.003	313,00	on request
1	Delivery pipe 1000 mm lg	243216.004	252,00	on request
10	Large radius elbow 90°, r = 1000	244207.009	1118,00	on request
2	Large radius elbow 45°, r = 1000	244208.008	780,00	on request
82	ZXK-coupling	241291.005	77,20	on request
82	Seal	069042.009	2,80	on request
10	Sponge ball	026650.007	15,20	on request
	Total		41585,80	on request



Putzmeister Products and Services:

- PM-Concrete Pumps
- PM-Systems Engineering PAT
- PM-Telebelt
- PM-Mörtelmaschinen GmbH
- PM-Dynajet High Pressure Cleaners
- PM-Services
- PM-Concrete Project Division CPD
- PM-Consulting und Data Technology PCD
- PM-Academie GmbH



Putzmeister AG
Max-Eyth-Str. 10 · D-72631 Aichtal
P.O. Box 2152 · D-72629 Aichtal
Tel. +49 (71 27) 599-0
Fax +49 (71 27) 599-520
Internet: <http://www.putzmeister.de>
E-mail: pmw@pmw.de

Delivery elbows

Designation		Part-No.	Price/unit EUR	Approx. weight unit/kg	Partgroup/ RST
Delivery elbow	15°, r = 281 HP	244203.003	252,00		5
Delivery elbow	30°, r = 281 HP	244202.004	356,00		5
Delivery elbow	45°, r = 281 HP	244201.005	369,00		5
Delivery elbow	90°, r = 281 HP	244200.006	423,00	17,2	5

Large radius elbows

Designation		Part-No.	Price/unit EUR	Approx. weight unit/kg	Partgroup/ RST
Large radius elbow	15°, r= 1000 HP	244210.009	391,00		5
Large radius elbow	30°, r= 1000 HP	244209.007	330,00	33,0	5
Large radius elbow	45°, r= 1000 HP	244208.008	780,00	43,0	5
Large radius elbow	90°, r= 1000 HP	244207.009	1118,00	70,0	5

Delivery hoses, SK-system, fitted on both sides

Designation		Part-No.	Price/unit EUR	Approx. weight unit/kg	Partgroup/ RST
Delivery hose ZX can only be used with SK-hose nozzles. This is why transition pieces ZX-SK and SK-couplings are essential for operation.					
Delivery hose	3000 mm lg, SK150/6	053180.003	805,00	56,7	6
Delivery hose	5000 mm lg, SK150/6	088825.003	1090,00	89,5	6

Transition pieces and accessories for connection of pipeline ZX with hose SK

Designation		Part-No.	Price/unit EUR	Approx. weight unit/kg	Partgroup/ RST
Transition piece	SK - ZXV	on request			
Transition piece	SK - ZXM	on request			
Clamp coupling	SK-H 150/6 LP	026499.006	72,60	7,4	6
Seal A	SK 150/6	002231.000	3,80	0,3	6
Circlip		018878.004	2,50	0,1	6

Cleaning accessories

Designation		Part-No.	Price/unit EUR	Approx. weight unit/kg	Partgroup/ RST
Sponge ball	medium	026650.007	15,20	0,4	6
Sponge cube	for suction cleaning	063597.000	6,10	0,3	6
Cleaning pig	for stationary lines	253955.009	155,00	2,7	5
Catching basket		on request	340,00		5
Sponge ball	hard D 150	406375	36,80	0,5	5

Shut-off valves / Transfer tubes and accessories

Designation		Part-No.	Price/unit EUR	Approx. weight unit/kg	Partgroup/ RST
Hydr. shut-off valve	GVH 2/2, 130 bar w. end switch	272858.006	7489,00		5
Hydr. shut-off valve	GVH 4/2, 130 bar	258915.002	10290,00		5
Hydr. shut-off valve	GVH 4/2, 130 bar w. end switch	258934.009	10507,00		5
Hydraulic unit	with manual pump				
	without accumulator	293604/6	1316,00	3,7	5
Hydraulic unit	with electric drive				
	and manual control valve	050485.002	5595,00	190,0	5
Connection accessories for shut-off valve on concrete pump consisting of:					
control block 220 bar, hydraulic hoses with fittings		025105.003	848,00	8,2	5
Hydr. connection hose RAD 12 à 5 m length					
- concrete pump to shut-off valve (min. 4 pcs. required)		042950.008	89,20	3,2	5
Hydr. connection hose RAD 12 à 10 m length					
- concrete pump to shut-off valve (min. 2 pcs. required)		240583.002	141,00	7,0	5
Fittings B-GV 12 L (2 pcs. required)		043236.006	8,20	0,1	5
Hydraulic units with electric valves, control cabinet and remote control					on request

Other accessories

Designation		Part-No.	Price/unit EUR	Approx. weight unit/kg	Partgroup/ RST
Pressure gauge	ZX 100-140, up to 250 bar	273229.003	on request	5,2	5
Lid	ZXV 150/6Z	258527.005	on request	4,8	5
Pipeline attachment	complete	052018.008	on request		5
Wall thickness measuring unit		277434.001	1020,00	1,0	7

This brochure is subject to permanent pricing. The quoted prices are not binding. On request we shall be pleased to submit a detailed quotation. 05/2003.