

# Concrete Delivery line ZX 140/5 HP 130 bar



## ZX 140/5 HP 130 bar – ST 52 Plus

### Delivery line:

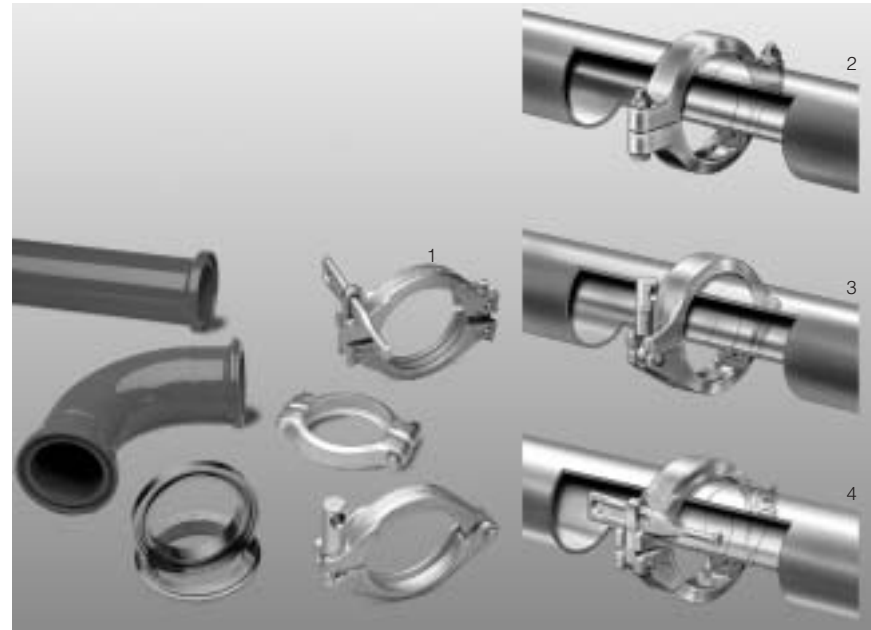
Operating pressure 130 bar, statically calculated for abrasive media. A ZX-line always begins with a ZXV-connection and ends with ZXM-connection.

### Delivery elbows:

Steel elbow with wear protection.

### Delivery hoses:

SK-system with transition piece ZX. Operating pressure 85 bar, safety factor 2, 4-layer steel wire, wall thickness 16 mm with hardened pressed fittings.



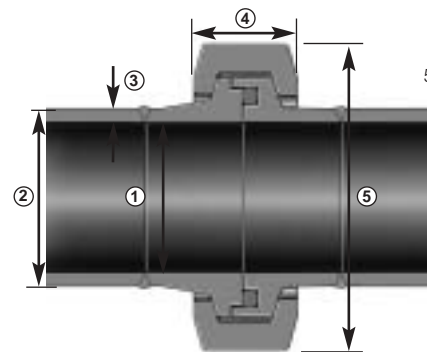
### Technical dimensions:

#### Pipe

1. Inside diameter	139.8 mm
2. Outside diameter	152.4 mm
3. Wall thickness	6,3 mm

#### Coupling

4. Width	50 mm
5. Outside diameter max.	
Screw version	280 mm
One-bolt version	370 mm



### Couplings / Seals

Designation	Part-No.	Price/unit EUR	Approx. weight unit/kg	Partgroup/ RST
Screw coupling ZX-S	057329.006	54,60	4,4	
One-bolt coupling ZX-K	051342.005	76,50	5,5	6
Seal 152,0 x 5,1	041323.005	2,40	0,1	6

### Delivery pipes / Welding rings

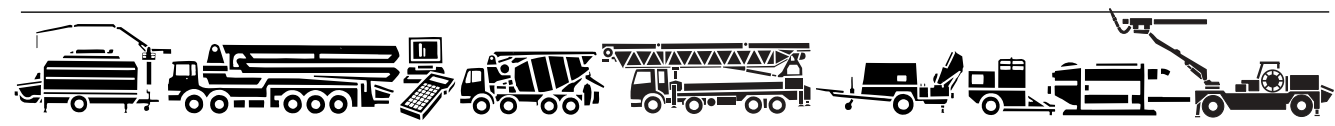
Designation	Part-No.	Price/unit EUR	Approx. weight unit/kg	Partgroup/ RST
Delivery pipe 500 mm lg	077025.005	137,00	12,2	5
Delivery pipe 1000 mm lg	056431.005	187,00	24,0	5
Delivery pipe 2000 mm lg	056645.008	246,00	50,0	5
Delivery pipe 3000 mm lg	056646.007	318,00	66,0	5
Delivery pipe 6000 mm lg	086919.005	556,00	140,0	5
Raw pipe approx. 6000 mm lg	005405.008	on request		
Welding ring ZXV	056630.000	41,60	1,1	5
Welding ring ZXM	054708.002	49,90	1,4	5

### Standard concrete delivery line ZX 140, 100 m long, consisting of:

Quantity	Designation	Part-No.	Price/unit EUR	Approx. weight kg
32	Delivery pipe 3,0 m	056646.007	318,00	66,0
2	Delivery pipe 2,0 m	056645.008	246,00	50,0
2	Delivery pipe 1,0 m	056431.005	187,00	24,0
6	Large radius elbow 90°, r = 1000	051820.006	946,00	42,0
2	Large radius elbow 45°, r = 1000	057665.003	808,00	226,0
45	ZX-S-coupling	057329.006	54,60	4,4
45	Seal	041323.005	2,40	0,1
6	Sponge ball	026650.007	15,20	0,4
	<b>Total</b>		<b>20381,20</b>	<b>2832,9</b>

### Standard concrete delivery line ZX 140, 200 m long, consisting of:

Quantity	Designation	Part-No.	Price/unit EUR	Approx. weight kg
65	Delivery pipe 3000 mm lg	056646.007	318,00	66,0
2	Delivery pipe 2000 mm lg	056645.008	246,00	50,0
1	Delivery pipe 1000 mm lg	056431.005	187,00	24,0
10	Large radius elbow 90°, r = 1000	051820.006	946,00	42,0
2	Large radius elbow 45°, r = 1000	057665.003	808,00	26,0
82	ZXK-coupling	057329.006	54,60	4,4
82	Seal	041323.005	2,40	0,1
10	Sponge ball	026650.007	15,20	0,4
	<b>Total</b>		<b>36171,40</b>	<b>5398,2</b>



### Putzmeister Products and Services:

- PM-Concrete Pumps
- PM-Systems Engineering PAT
- PM-Telebelt
- PM-Mörtelmaschinen GmbH
- PM-Dynajet High Pressure Cleaners
- PM-Services
- PM-Concrete Project Division CPD
- PM-Consulting und Data Technology PCD
- PM-Academie GmbH



Putzmeister AG  
Max-Eyth-Str. 10 · D-72631 Aichtal  
P.O. Box 2152 · D-72629 Aichtal  
Tel. +49 (71 27) 599-0  
Fax +49 (71 27) 599-520  
Internet: <http://www.putzmeister.de>  
E-mail: [pmw@pmw.de](mailto:pmw@pmw.de)

### Delivery elbows

Designation		Part-No.	Price/unit EUR	Approx. weight unit/kg	Partgroup/ RST
Delivery elbow	15°, r = 281 HP	081040.005	338,00	13,4	5
Delivery elbow	30°, r = 281 HP	057592.008	552,00	9,5	5
Delivery elbow	45°, r = 281 HP	057591.009	559,00	11,9	5
Delivery elbow	90°, r = 281 HP	057590.000	666,00	14,8	5

### Large radius elbows

Designation		Part-No.	Price/unit EUR	Approx. weight unit/kg	Partgroup/ RST
Large radius elbow	15°, r= 1000 HP	057667.001	558,00	13,8	5
Large radius elbow	30°, r= 1000 HP	057666.002	718,00	21,5	5
Large radius elbow	45°, r= 1000 HP	057665.003	808,00	26,0	5
Large radius elbow	90°, r= 1000 HP	051820.006	946,00	42,0	6

### Delivery hoses, SK-system, fitted on both sides

Designation		Part-No.	Price/unit EUR	Approx. weight unit/kg	Partgroup/ RST
ZX delivery hoses can only be used with SK-hose nozzles This is why transition pieces ZX-SK and SK couplings are essential for operation					
Delivery hose	3000 mm lg, SK150/6	053180.003	805,00	56,7	6
Delivery hose	5000 mm lg, SK150/6	088825.003	1090,00	89,5	6

### Transition pieces and accessories for connection of pipeline ZX with hose SK

Designation		Part-No.	Price/unit EUR	Approx. weight unit/kg	Partgroup/ RST
Transition piece	SK/150/6 – ZX 140, 100 mm lg	056709.009	267,00	4,9	5
Transition piece	SK 150/6 – ZX 140, 100 mm lg	222070.009	357,00	6,5	5
Clamp coupling	SK-H 150/6 LP	026499.006	72,60	7,4	6
Seal A	SK 150/6	002231.000	3,80	0,3	6
Circlip		018878.004	2,50	0,1	6

### Reductions/ Transition pieces

Designation		Part-No.	Price/unit EUR	Approx. weight unit/kg	Partgroup/ RST
Transition piece	ZXV 140 – SK125/5.5; 100 mm lg	081168.000	263,00	3,5	5
Transition piece	ZXV 140 – SK125/5.5; 200 mm lg	081651.009	on request	9,3	
Transition piece	ZXV 140 – SK120/5; 100 mm lg	081169.009	230,00	4,4	5
Transition piece	ZXV 140 – SK120/5; 200 mm lg	081650.000	on request	9,0	
Transition piece	ZXV 140 – SK100/4.5; 200 mm lg	081527.007	on request	9,0	
Transition piece	ZXV 140 – SK100/4; 200 mm lg	081652.008	on request	9,0	

### Cleaning accessories

Designation		Part-No.	Price/unit EUR	Approx. weight unit/kg	Partgroup/ RST
Sponge ball	medium	026650.007	15,20	0,4	6
Sponge cube	for suction cleaning	063597.000	6,10	0,3	6
Cleaning pig	for stationary lines	253955.009	155,00	2,7	5
Catching basket	for sponge ball	279238.001	on request	8,8	5

### Shut-off valves / Transfer tubes and accessories

Designation		Part-No.	Price/unit EUR	Approx. weight unit/kg	Partgroup/ RST
Manual shut-off valve	GVM 2/2, 130 bar	080268.008	2286,00	67,0	5
Hydr. shut-off valve	GVH 2/2, 130 bar w. end switch	222072.007	13795,00	317,0	5
Hydr. shut-off valve	GVH 2/2, 130 bar	088824.004	11099,00	315,0	5
Hydr. shut-off valve	GVH 4/2, 130 bar	251947.006	on request		5
Hydr. shut-off valve	GVH 4/2, 130 bar	025101.007	on request		
Hydr. shut-off valve	GVH 6/3, 85 bar w. end switch	231880.002	on request		
Pig ingate	PVH 6/2	238695.009	on request		
Hydraulic unit	with manual pump without accumulator	293604.006	1316,00	37,0	5
Hydraulic unit	with electric drive and manual control valve	050485.002	5595,00	190,0	5
Connection accessories for shut-off valve on concrete pump consisting of:					
control block 220 bar, hydraulic hoses with fittings		025105.003	848,00	8,2	5
Hydr. connection hose RAD 12 à 5 m length					
- concrete pump to shut-off valve (min. 4 pcs. required)		042950.008	89,20	3,2	5
Hydr. connection hose RAD 12 à 10 m length					
- concrete pump to shut-off valve (min. 2 pcs. required)		240583.002	141,00	7,0	5
Fittings B-GV 12 L (2 pcs. required)		043236.006	8,20	0,1	5
Forked pipe 85 bar 600 mm lg		237344.005	2161,00		5
Hydraulic units with electric valves, control cabinet and remote control					on request

### Other accessories

Designation		Part-No.	Price/unit EUR	Approx. weight unit/kg	Partgroup/ RST
Pressure gauge	ZX 100-140, up to 250 bar	056710.001	573,00	5,2	5
Lid	ZXV 125-140	054720.006	55,30	4,8	5
Pipeline attachment	complete	273606.008	26,70	2,1	5
Wall thickness measuring unit		277434.001	1020,00	1,0	7

This brochure is subject to permanent pricing. The quoted prices are not binding. On request we shall be pleased to submit a detailed quotation. 05/2003.