

# Concrete Delivery line ZX 125/5,5 HP 200 bar



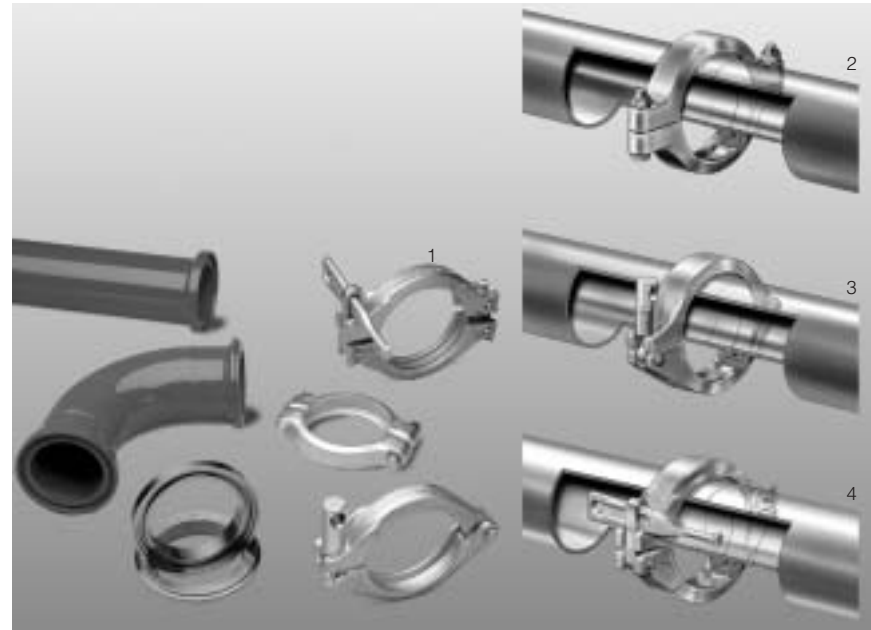
## ZX 125/5,5 HP 200 bar – ST 52 Plus

### Delivery line:

Operating pressure 200 bar, statically calculated for abrasive media. A ZX-line always begins with ZXV-connection and ends with ZXM-connection.

### Delivery elbows:

Steel elbows with wear protection.



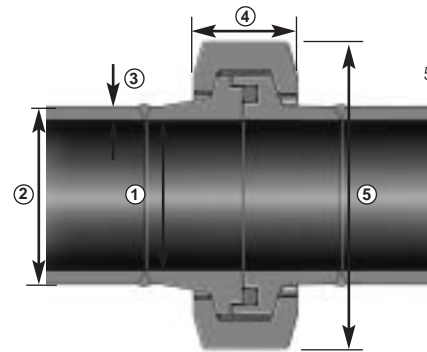
### Technical dimensions:

#### Pipe

1. Inside diameter	122,1 mm
2. Outside diameter	139,7 mm
3. Wall thickness	8,8 mm

#### Coupling

4. Width	52 mm
5. Outside diameter max.	
Screw version	300 mm
One-bolt version	395 mm
Wedge version	320 mm



## Couplings / Seals

Designation	Part-No.	Price/unit EUR	Approx. weight unit/kg	Partgroup/ RST
Screw coupling ZX-S	241586.008	49,80		5
One-bolt coupling ZX-K	244412.001	87,00		5
Wedge coupling ZX-W	244419.004	86,00		5
Seal 143 x 5	267277.003	3,60		5

## Delivery pipes / Welding rings

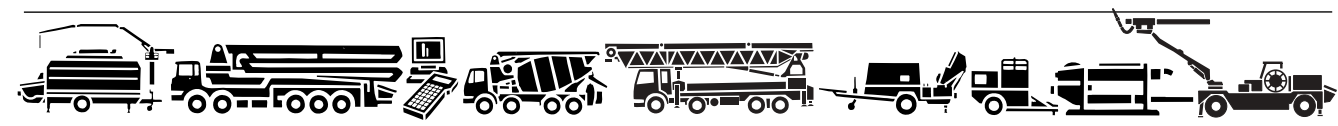
Designation	Part-No.	Price/unit EUR	Approx. weight unit/kg	Partgroup/ RST
Delivery pipe 500 mm lg	265350.003	on request		
Delivery pipe 1000 mm lg	265351.002	251,00	30,0	5
Delivery pipe 2000 mm lg	265352.001	305,00	58,0	5
Delivery pipe 3000 mm lg	265353.000	349,00	87,0	5
Delivery pipe 6000 mm lg	265354.009	on request		
Raw pipe approx. 6000 mm lg	004634.003	on request		
Welding ring ZXV	267833.007	43,80	2,4	5
Welding ring ZXM	267832.008	43,60	2,6	5

## Standard concrete delivery line ZX 125, 100 m long, consisting of:

Quantity	Designation	Part-No.	Price/unit EUR	Approx. weight kg
32	Delivery pipe 3000 mm lg	265353.000	349,00	87,0
2	Delivery pipe 2000 mm lg	265352.001	305,00	58,0
2	Delivery pipe 1000 mm lg	265351.002	251,00	30,0
6	Large radius elbow 90°, r = 1000	265371.008	719,00	on request
2	Large radius elbow 45°, r = 1000	265370.009	596,00	on request
45	ZX-S-coupling	241586.008	on request	on request
45	Seal	267277.003	3,60	on request
6	Sponge ball	018841.002	8,90	0,4
	<b>Total</b>		<b>19990,10</b>	<b>on request</b>

## Standard concrete delivery line ZX 125, 200 m long, consisting of:

Quantity	Designation	Part-No.	Price/unit DM	Approx. weight kg
65	Delivery pipe 3000 mm lg	265353.000	349,00	87,0
2	Delivery pipe 2000 mm lg	265352.001	305,00	58,0
1	Delivery pipe 1000 mm lg	265351.002	251,00	30,0
10	Large radius elbow 90°, r = 1000	265371.008	719,00	on request
2	Large radius elbow 45°, r = 1000	265370.009	596,00	on request
82	ZXK-coupling	241586.008	on request	on request
82	Seal	267277.003	3,60	on request
10	Sponge ball	018841.002	8,90	0,4
	<b>Total</b>		<b>36017,20</b>	<b>on request</b>



### Putzmeister Products and Services:

- PM-Concrete Pumps
- PM-Systems Engineering PAT
- PM-Telebelt
- PM-Mörtelmaschinen GmbH
- PM-Dynajet High Pressure Cleaners
- PM-Services
- PM-Concrete Project Division CPD
- PM-Consulting und Data Technology PCD
- PM-Academie GmbH



Putzmeister AG  
Max-Eyth-Str. 10 · D-72631 Aichtal  
P.O. Box 2152 · D-72629 Aichtal  
Tel. +49 (71 27) 599-0  
Fax +49 (71 27) 599-520  
Internet: <http://www.putzmeister.de>  
E-mail: [pmw@pmw.de](mailto:pmw@pmw.de)

Ill.: 1/KS 12805-0, 2/KS 69964, 3/KS 69963, 4/KS 69962, 5/KS 69970.

### Delivery elbows

Designation	Part-No.	Price/unit EUR	Approx. weight unit/kg	Partgroup/ RST
Delivery elbow 15°, r = 330 HP	265364.002	on request		
Delivery elbow 30°, r = 330 HP	265365.001	on request		
Delivery elbow 45°, r = 330 HP	265366.000	470,00	13,2	5
Delivery elbow 90°, r = 330 HP	265367.009	481,00	21,3	5

### Large radius elbows

Designation	Part-No.	Price/unit EUR	Approx. weight unit/kg	Partgroup/ RST
Large radius elbow 15°, r= 1000 HP	265368.008	on request		
Large radius elbow 30°, r= 1000 HP	265369.007	on request		
Large radius elbow 45°, r= 1000 HP	265370.009	596,00		5
Large radius elbow 90°, r= 1000 HP	265371.008	719,00		5

### Cleaning accessories

Designation	Part-No.	Price/unit EUR	Approx. weight unit/kg	Partgroup/ RST
Sponge ball soft	230229.004	7,90	0,3	6
Sponge ball medium	018841.002	8,90		6
Sponge ball hard	223673.007	13,90		6
Sponge cube DN 125 – for suction cleaning	063567.001	4,60	0,3	6
Cleaning pig NW 125 – for stationary lines	253953.001	137,00	0,2	5
Catching basket ZXV 140 – for sponge ball	277402.004	on request	8,0	5
Gravel brake ZX 125 – 200 mm lg	239640.008	524,00	5,9	5
Cleaning port	086050.003	179,00	8,6	5
Cleaning lid ZXV 125-140	054720.006	55,30	4,8	5

### Shut-off valves / Transfer tubes and accessories

Designation	Part-No.	Price/unit EUR	Approx. weight unit/kg	Partgroup/ RST
Hydr. shut-off valve GVH 2/2, 130 bar w. end switch	050342.006	5768,00	203,0	
Hydr. shut-off valve GVH 2/2, 130 bar	089991.004	5300,00	220,0	5
Hydr. shut-off valve GVH 4/2, 130 bar	024938.006	7826,00	212,0	5
Hydraulic unit with manual pump without accumulator	293604.006	1316,00		5
Hydraulic unit with elect. drive and manual control valve	050485.002	5595,00	190,0	5
Connection accessories for shut-off valve on concrete pump consisting of: control block 220 bar, hydraulic hoses with fittings	025105.003	848,00	8,2	5
Hydr. connection hose RAD 12 à 5 m length - concrete pump to shut-off valve (min. 4 pcs. required)	042950.008	89,20	3,2	5
Hydr. connection hose RAD 12 à 10 m length - concrete pump to shut-off valve (min. 2 pcs. required)	240583.002	141,00	7,0	5
Fittings B-GV 12 L (2 pcs. required)	043236.006	8,20	0,1	5
Hydraulic units with electric valves, control cabinet and remote control		on request		

### Other accessories

Designation	Part-No.	Price/unit EUR	Approx. weight unit/kg	Partgroup/ RST
T-delivery pipe 0.5 m	273228.004	on request		
Pressure gauge ZXV up to 250 bar	265385.007	on request		
Wall thickness measuring unit	277434.001	1020,00		7

This brochure is subject to permanent pricing. The quoted prices are not binding. On request we shall be pleased to submit a detailed quotation. 05/2003.