

Concrete Delivery line ZX 125/5 HP 130 bar



ZX 125/5 HP 130 bar – ST 52 Plus

Delivery line:

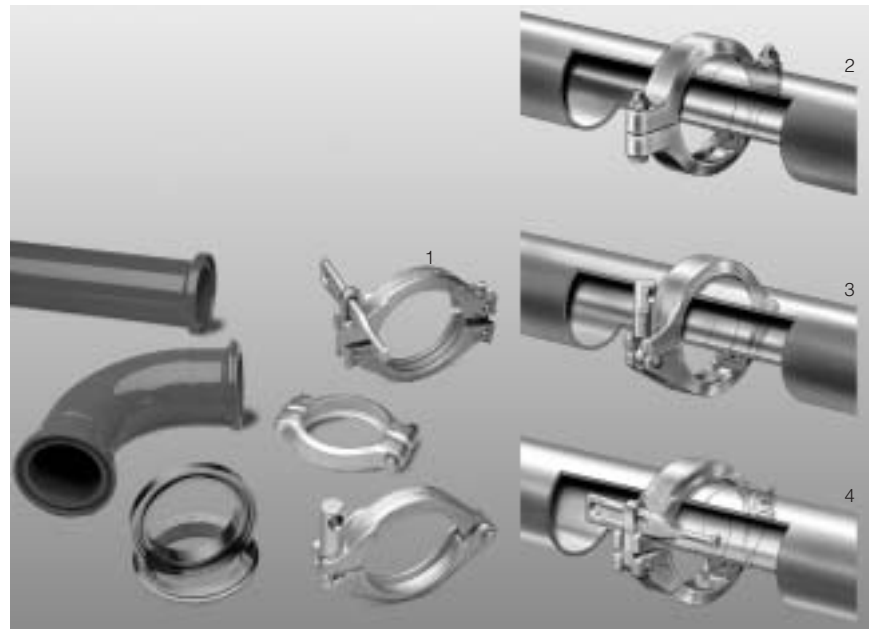
Operating pressure 130 bar, statically calculated for abrasive media. A ZX-line always begins with ZXV-connection and ends with ZXM-connection.

Delivery elbows:

Steel elbows with wear protection.

Delivery hoses:

SK-system with transition piece ZX, operating pressure 85 bar, safety factor 2, 4-layer steel wires, wall thickness 16 mm with hardened pressed fittings.



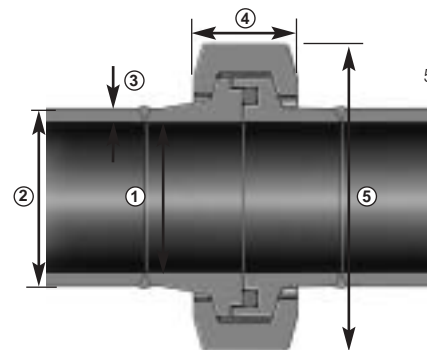
Technical dimensions:

Pipe

1. Inside diameter	125,5 mm
2. Outside diameter	139,7 mm
3. Wall thickness	7,1 mm

Coupling

4. Width	50 mm
5. Outside diameter max.	
Screw version	280 mm
One-bolt version	370 mm



Couplings / Seals

Designation	Part-No.	Price/unit EUR	Approx. weight unit/kg	Partgroup/ RST
Screw coupling ZX-S	057329.006	on request	2,8	6
One-bolt coupling ZX-K	051342.005	76,50	5,5	6
Seal 152.0 x 5.1	041323.005	2,40		6

Delivery pipes / Welding rings

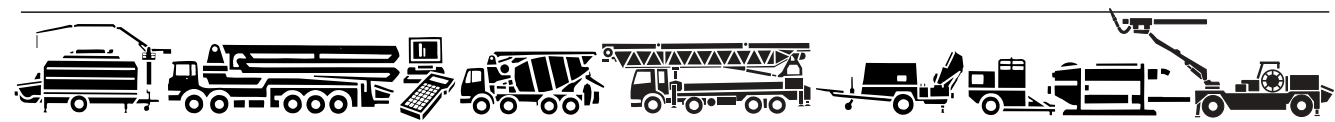
Designation	Part-No.	Price/unit EUR	Approx. weight unit/kg	Partgroup/ RST
Delivery pipe 500 mm lg	224032.003	69,50	14,0	6
Delivery pipe 1000 mm lg	051801.009	92,20	24,8	6
Delivery pipe 2000 mm lg	051802.008	129,00	48,0	6
Delivery pipe 3000 mm lg	051803.007	151,00	71,0	6
Delivery pipe 6000 mm lg	028860.002	298,00		6
Raw pipe approx. 6000 mm lg	005464.007	on request		
Welding ring ZXV	051461.009	16,20	0,9	6
Welding ring ZXM	051460.000	17,00	1,1	6

Standard concrete delivery line ZX 125, 100 m long, consisting of:

Quantity	Designation	Part-No.	Price/unit EUR	Approx. weight kg
32	Delivery pipe 3000 mm lg	051803.007	151,00	71,7
2	Delivery pipe 2000 mm lg	051802.008	125,00	48,4
2	Delivery pipe 1000 mm lg	051801.009	89,50	25,1
6	Large radius elbow 90°, r = 1000	051819.004	306,00	39,8
2	Large radius elbow 45°, r = 1000	057642.000	436,00	24,5
45	ZX-S-coupling	057329.006	54,60	4,5
45	Seal	041323.005	2,40	0,1
6	Sponge ball	018841.002	8,90	0,3
	Total		10504,60	2938,0

Standard concrete delivery line ZX 125, 200 m long, consisting of:

Quantity	Designation	Part-No.	Price/unit EUR	Approx. weight kg
65	Delivery pipe 3000 mm lg	051803.007	151,00	71,7
2	Delivery pipe 2000 mm lg	051802.008	125,00	48,4
1	Delivery pipe 1000 mm lg	051801.009	89,50	25,1
10	Large radius elbow 90°, r = 1000	051819.004	306,00	39,8
2	Large radius elbow 45°, r = 1000	057642.000	436,00	24,5
82	ZXK-coupling	057329.006	54,60	4,5
82	Seal	041323.005	2,40	0,1
10	Sponge ball	018841.002	8,90	0,3
	Total		18698,90	5610,0



Putzmeister Products and Services:

- PM-Concrete Pumps
- PM-Systems Engineering PAT
- PM-Telebelt
- PM-Mörtelmaschinen GmbH
- PM-Dynajet High Pressure Cleaners
- PM-Services
- PM-Concrete Project Division CPD
- PM-Consulting und Data Technology PCD
- PM-Academie GmbH



Putzmeister AG
Max-Eyth-Str. 10 · D-72631 Aichtal
P.O. Box 2152 · D-72629 Aichtal
Tel. +49 (71 27) 599-0
Fax +49 (71 27) 599-520
Internet: <http://www.putzmeister.de>
E-mail: pmw@pmw.de

Delivery elbows

Designation	Part-No.	Price/unit EUR	Approx. weight unit/kg	Partgroup/ RST
Delivery elbow 15°, r = 281 HP	080966.009	217,00	7,7	6
Delivery elbow 30°, r = 281 HP	057180.009	237,00	9,0	6
Delivery elbow 45°, r = 281 HP	057181.008	260,00	14,0	6
Delivery elbow 90°, r = 281 HP	051808.002	289,00	17,0	6

Large radius elbows

Designation	Part-No.	Price/unit EUR	Approx. weight unit/kg	Partgroup/ RST
Large radius elbow 15°, r= 1000 HP	057644.008	466,00	15,1	6
Large radius elbow 30°, r= 1000 HP	057643.009	490,00	26,0	6
Large radius elbow 45°, r = 1000 HP	057642.000	449,00	28,0	6
Large radius elbow 90°, r= 1000 HP	051819.004	315,00	46,0	6

Delivery hoses, SK-system, fitted on both sides

Designation	Part-No.	Price/unit EUR	Approx. weight unit/kg	Partgroup/ RST
ZX delivery hoses can only be used with SK hose nozzles. This is why transition pieces ZX-SK and SK-couplings are essential for operation.				
Delivery hose 2000 mm lg, SK125/5.5	027643.000	510,00	34,0	6
Delivery hose 3000 mm lg, SK125/5.5	057611.002	465,00	57,0	6
Delivery hose 4000 mm lg, SK125/5.5	089983.009	560,00	59,0	6
Delivery hose 5000 mm lg, SK125/5.5	057612.001	655,00	70,0	6
Delivery hose 10000 mm lg, SK125/5.5	259907.006	1430,00	72,6	6

Transition pieces and accessories for connection of pipeline ZX with hose SK

Designation	Part-No.	Price/unit EUR	Approx. weight unit/kg	Partgroup/ RST
Transition piece SK 125/5.5 – ZXV 125, 100 mm lg	028862.000	132,00	3,6	6
Transition piece SK 125/5.5 – ZXM 125, 100 mm lg	028861.001	135,00	4,0	6
Clamp coupling SK-H 125/5.5 LP	057153.007	28,90	5,2	6
Seal A SK 125/5.5	055559.001	1,50	0,2	6
Circlip	018878.004	2,50	0,1	6

Reductions/ Transition pieces

Designation	Part-No.	Price/unit EUR	Approx. weight unit/kg	Partgroup/ RST
Reduction piece ZXV125 – SK120/5, 100 mm lg	053891.004	115,00	3,4	5
Reduction piece ZXV125 – SK150/6, 200 mm lg	081087.000	269,00	4,0	

Cleaning accessories

Designation	Part-No.	Price/unit EUR	Approx. weight unit/kg	Partgroup/ RST
Sponge ball soft	230229.004	7,90	0,3	6
Sponge ball medium	018841.002	8,90	0,4	6
Sponge ball hard	223673.007	13,90	0,6	6
Sponge cube DN 125 – for suction cleaning	063567.001	4,60	0,3	6
Cleaning pig NW 125 – for stationary lines	253953.001	137,00	1,9	5
Catching basket ZXV 140 – for sponge ball	277402.004	on request	11,3	5
Gravel brake ZX 125 - 200 lg	239640.008	524,00	5,9	5
Cleaning port	086050.003	179,00	8,7	5

Shut-off valves / Transfer tubes and accessories

Designation	Part-No.	Price/unit EUR	Approx. weight unit/kg	Partgroup/ RST
Manual shut-off valve GVM 2/2, 20 bar	261988.000	266,00		6
Manual shut-off valve GVM 2/2, 130 bar	401928	1697,00	60,0	5
Hydr. shut-off valve GVH 2/2, 130 bar w. end switch	406681	5771,00	150,0	5
Hydr. shut-off valve GVH 2/2, 130 bar	406682	4776,00	230,0	5
Hydr. shut-off valve GVH 4/2, 130 bar	024938.006	7826,00	212,0	5
Transfer tube DVH 5/2, 130 bar	246985.002	8596,00	196,0	5
Pig ingate PVH 6/2	276369.009	on request		
Hydraulic unit with manual pump without accumulator	239604.006	4018,00		5
Hydraulic unit with electric drive and manual control valve	050485.002	5595,00	190,0	5
Connection accessories for shut-off valve on concrete pump consisting of:				
control block 220 bar, hydraulic hoses with fittings	025105.003	848,00	8,2	5
Hydr. connection hose RAD 12 à 5 m length - concrete pump to shut-off valve (min. 4 pcs. required)	042950.008	89,20	3,2	5
Hydr. connection hose RAD 12 à 10 m length - concrete pump to shut-off valve (min. 2 pcs. required)	240583.002	141,00	7,0	5
Fittings B-GV 12 L (2 pcs. required)	043236.006	8,20	0,2	5
Forked pipe 85 bar	024939.005	on request		
Hydraulic units with electric valves, control cabinet and remote control		on request		

Other accessories

Designation	Part-No.	Price/unit EUR	Approx. weight unit/kg	Partgroup/ RST
T-delivery pipe 1000 mm lg, HP	057045.005	520,00	28,0	5
Pressure gauge ZX 100-140, up to 250 bar	056710.001	573,00	5,2	5
Lid ZXV 125-140	054720.006	55,30	4,8	5
Pipeline attachment complete	273606.008	26,70	2,1	5
Wall thickness measuring unit	277434.001	1020,00	0,9	7

This brochure is subject to permanent pricing. The quoted prices are not binding.
On request we shall be pleased to submit a detailed quotation. 05/2003.