

# Concrete Delivery line ZX 100/5 HP 130 bar



## ZX 100/5 ZX HP 130 bar – ST 52 Plus

### Delivery line:

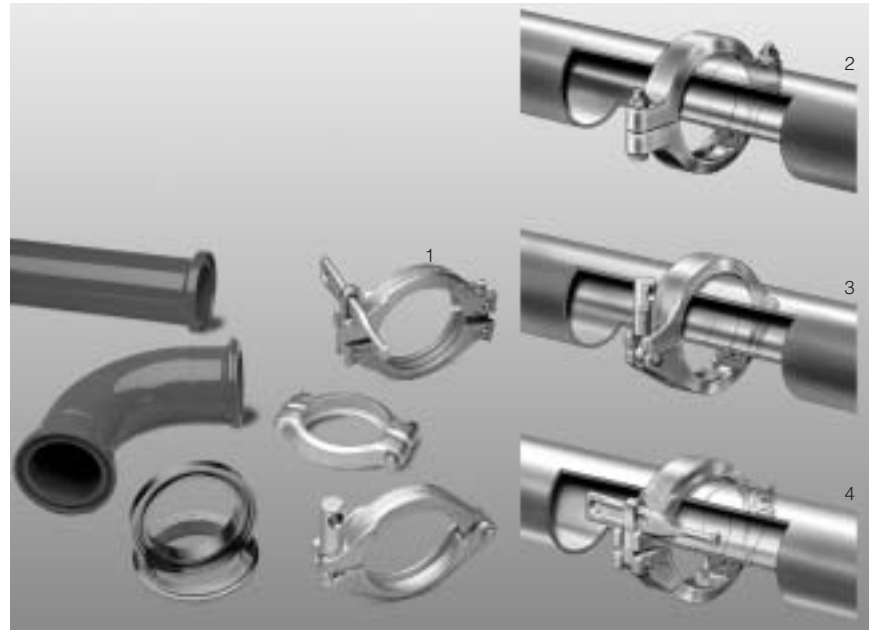
Operating pressure 130 bar, statically calculated for abrasive media. A ZX-line always begins with ZXV-connection and ends with ZXM connection.

### Delivery elbows:

Steel elbows with wear protection.

### Delivery hoses:

SK-System with transition piece ZX, operating pressure 85 bar, safety factor 2, 4-layer steel wire, wall thickness 16 mm with hardened pressed fittings.



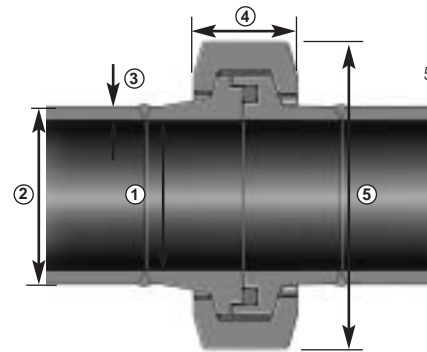
### Technical dimensions:

#### Pipe

1. Inside diameter	101,7 mm
2. Outside diameter	114,3 mm
3. Wall thickness	6,3 mm

#### Coupling

4. Width	50 mm
5. Outside diameter max.	
Screw version	280 mm
One-bolt version	370 mm



## Couplings / Seals

Designation	Part-No.	Price/unit EUR	Approx. weight unit/kg	Partgroup/ RST
Screw coupling ZX-S	057329.006	43,20	2,8	6
One-bolt coupling ZX-K	051342.005	76,50	5,5	6
Seal A 152.0 x 5,1	041323.005	2,40		5

## Delivery pipes / Welding rings

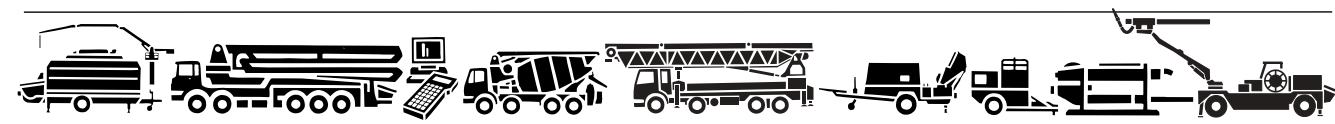
Designation	Part-No.	Price/unit EUR	Approx. weight unit/kg	Partgroup/ RST
Delivery pipe 500 mm lg	051835.004	132,00	11,7	6
Delivery pipe 1000 mm lg	051798.002	143,00	19,5	6
Delivery pipe 2000 mm lg	051799.001	187,00	38,0	6
Delivery pipe 3000 mm lg	051800.000	208,00	52,0	6
Delivery pipe 6000 mm lg	220075.006	375,00	101,5	6
Raw pipe approx. 6000 mm lg	005461.000	on request		
Welding ring ZXV	058035.001	31,50	1,5	6
Welding ring ZXM	058037.009	34,10	1,7	6

## Standard concrete delivery line ZX 80, 100 m long, consisting of:

Quantity	Designation	Part-No.	Price/unit EUR	Approx. weight kg
32	Delivery pipe 3000 mm lg	051800.000	208,00	52,0
2	Delivery pipe 2000 mm lg	051799.001	187,00	38,0
2	Delivery pipe 1000 mm lg	051798.002	143,00	19,5
6	Large radius elbow 90°, r = 1000	058029.004	820,00	32,0
2	Large radius elbow 45°, r = 1000	058030.006	665,00	18,9
45	ZX-S-coupling	057329.006	on request	4,5
45	Seal	041323.005	2,40	0,1
6	Sponge ball	016091.003	7,10	0,2
	<b>Total</b>		<b>15699,40</b>	<b>2238,8</b>

## Standard concrete delivery line ZX 100, 200 m long, consisting of:

Quantity	Designation	Part-No.	Price/unit EUR	Approx. weight kg
65	Delivery pipe 3000 mm lg	051800.000	208,00	52,0
2	Delivery pipe 2000 mm lg	051799.001	187,00	38,0
1	Delivery pipe 1000 mm lg	051798.002	143,00	19,5
10	Large radius elbow 90°, r = 1000	058029.004	820,00	32,0
2	Large radius elbow 45°, r = 1000	058030.006	665,00	18,9
82	ZXK-coupling	057329.006	on request	4,5
82	Seal	041323.005	2,40	0,1
10	Sponge ball	016091.003	7,10	0,2
	<b>Total</b>		<b>27480,40</b>	<b>4261,1</b>



### Putzmeister Products and Services:

- PM-Concrete Pumps
- PM-Systems Engineering PAT
- PM-Telebelt
- PM-Mörtelmaschinen GmbH
- PM-Dynajet High Pressure Cleaners
- PM-Services
- PM-Concrete Project Division CPD
- PM-Consulting und Data Technology PCD
- PM-Academie GmbH



Putzmeister AG  
Max-Eyth-Str. 10 · D-72631 Aichtal  
P.O. Box 2152 · D-72629 Aichtal  
Tel. +49 (71 27) 599-0  
Fax +49 (71 27) 599-520  
Internet: <http://www.putzmeister.de>  
E-mail: [pmw@pmw.de](mailto:pmw@pmw.de)

### Delivery elbows

Designation		Part-No.	Price/unit EUR	Approx. weight unit/kg	Partgroup/ RST
Delivery elbow	30°, r = 281 HP	058046.003	300,00	4,5	6
Delivery elbow	45°, r = 281 HP	058045.004	345,00	11,5	6
Delivery elbow	90°, r = 281 HP	058044.005	404,00	11,5	6

### Large radius elbows

Designation		Part-No.	Price/unit EUR	Approx. weight unit/kg	Partgroup/ RST
Large radius elbow	15°, r= 1000 HP	027619.005	343,00	10,5	6
Large radius elbow	30°, r= 1000 HP	058031.005	500,00	14,6	6
Large radius elbow	45°, r= 1000 HP	058030.006	665,00	18,9	6
Large radius elbow	90°, r= 1000 HP	058029.004	820,00	32,0	6

### Delivery hoses, SK-system, fitted on both sides

Designation		Part-No.	Price/unit EUR	Approx. weight unit/kg	Partgroup/ RST
ZX delivery hoses can only be used with SK-hose nozzles. This is why transition pieces ZX-SK and SK couplings are essential for operation.					
Delivery hose	2000 mm lg, SK100/4	027624.003	345,00	34,0	5
Delivery hose	2850 mm lg, SK100/4	016150.009	373,00	32,0	6
Delivery hose	4000 mm lg, SK100/4	089624.009	470,00	44,0	6
Delivery hose	5000 mm lg, SK100/4	001755.008	571,00	52,5	6
Delivery hose	10000 mm lg, SK100/4	001756.007	885,00	95,0	6

### Transition pieces and accessories for connection of pipeline ZX with hose SK

Designation		Part-No.	Price/unit EUR	Approx. weight unit/kg	Partgroup/ RST
Transition piece	SK 100/4 – ZXV 100, 100 mm lg	027625.002	99,50	3,0	6
Transition piece	SK 100/4 – ZXM 100, 100 mm lg	027626.001	102,00	3,2	6
Clamp coupling	SK-H 100/4 LP	018281.002	35,30	3,8	6
Seal A	DN 100/4	001769.007	2,50	0,2	6
Circlip		018878.004	2,50	0,2	6

### Reductions/ Transition pieces

Designation		Part-No.	Price/unit EUR	Approx. weight unit/kg	Partgroup/ RST
Transition piece	ZX100 – SK65/3, 100 mm lg	224949.002	on request	4,1	
Transition piece	ZX100 – SK65/3, 200 mm lg	234466.009	341,00	3,0	5
Transition piece	ZX100 – SK120/5, 100 mm lg	237225.001	426,00	3,7	5

### Cleaning accessories

Designation		Part-No.	Price/unit EUR	Approx. weight unit/kg	Partgroup/ RST
Sponge ball	soft	230227.006	7,10	0,2	6
Sponge ball	medium	016091.003	7,10	0,2	6
Sponge ball	hard	234053.001	10,00	0,3	6
Sponge cube	for suction cleaning	063567.001	4,60	0,3	6
Cleaning pig	for stationary lines	253952.002	93,20	1,3	5
Catching basket	for sponge ball	277402.004	460,00	11,3	5
Cleaning lid	DN 125-140	057620.006	115,00	4,3	5

### Shut-off valves / Transfer tubes and accessories

Designation		Part-No.	Price/unit EUR	Approx. weight unit/kg	Partgroup/ RST
Hydr. shut-off valve	GVH 2/2, 130 bar	050317.002	on request		
Hydr. shut-off valve	GVH 2/2, 130 bar w. end switch	251955.001	on request		
Hydr. shut-off valve	GVH 4/2, 130 bar w. end switch	261890.004	on request		
Hydr. shut-off valve	GVH 4/2, 130 bar	237133.009	on request		
Hydr. shut-off valve	GVH 6/3, 130 bar w. end switch	244711.003	on request		
Hydraulic unit	with manual pump without accumulator	293604.006	1316,00	37,0	5
Hydraulic unit	with electric drive and manual control valve	050485.002	5595,00	190,0	5
Connection accessories for shut-off valve on concrete pump consisting of: control block 220 bar, hydraulic hoses with fittings					
		025105.003	848,00	8,2	5
Hydr. connection hose RAD 12 à 5 m length - concrete pump to shut-off valve (min. 4 pcs. required)					
		042950.008	89,20	3,2	5
Hydr. connection hose RAD 12 à 10 m length - concrete pump to shut-off valve (min. 2 pcs. required)					
		240583.002	141,00	7,0	5
Fittings B-GV 12 L	(2 pcs. required)	043236.006	8,20	0,1	5
Forked pipe	85 bar	240967.000	on request		
Hydraulic units with electric valves, control cabinet and remote control					
			on request		

### Other accessories

Designation		Part-No.	Price/unit EUR	Approx. weight unit/kg	Partgroup/ RST
T-delivery pipe	1000 mm lg, HP	027622.005	1089,00	11,5	5
Pressure gauge	ZX 100-140, up to 250 bar	056710.001	573,00	5,2	5
Lid	ZXV 125-140	054720.006	55,30	4,8	5
Wall thickness measuring unit		277434.001	1020,00	1,0	7

This brochure is subject to permanent pricing. The quoted prices are not binding.  
On request we shall be pleased to submit a detailed quotation. 05/2003.