

# Concrete Delivery line ZX 80/3 HP 130 bar



## ZX 80/3 HP 130 bar – ST 52 Plus

### Delivery line:

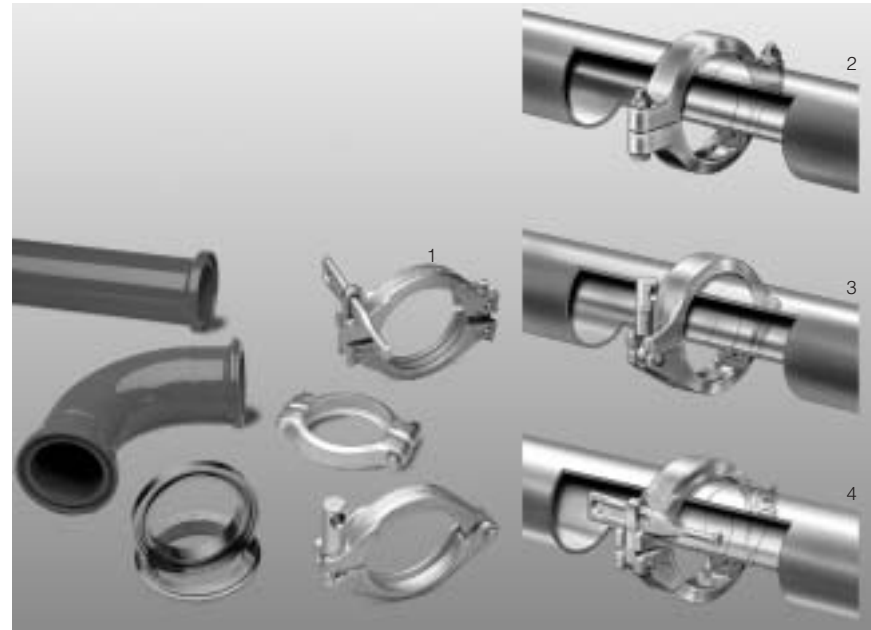
Operating pressure 130 bar, statically calculated for abrasive media. A ZX-line always begins with ZXV-connection and ends with ZXM-connection.

### Delivery elbows:

Steel elbows with wear protection.

### Delivery hoses:

Operating pressure 85 bar, safety factor 2, 4-layer steel wire, wall thickness: 16 mm with hardened pressed fittings.



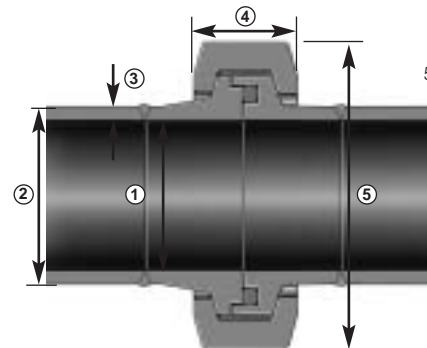
### Technical dimensions:

#### Pipe

1. Inside diameter	80 mm
2. Outside diameter	88.9 mm
3. Wall thickness	4.5 mm

#### Coupling

4. Width	45 mm
5. Outside diameter max.	
Screw version	approx. 210 mm
One-bolt version	approx. 264 mm
Wedge version	approx. 230 mm



### Couplings / Seals

Designation	Part-No.	Price/unit EUR	Approx. weight unit/kg	Partgroup/ RST
Screw coupling ZX-S	241588.006	43,20		
One-bolt coupling ZX-K	252688.005	82,00	3,0	6
Wedge coupling ZX-W	252693.003	on request		
Seal 95.0 x 5.0	041877.001	2,30	0,1	5

### Delivery pipes / Welding rings

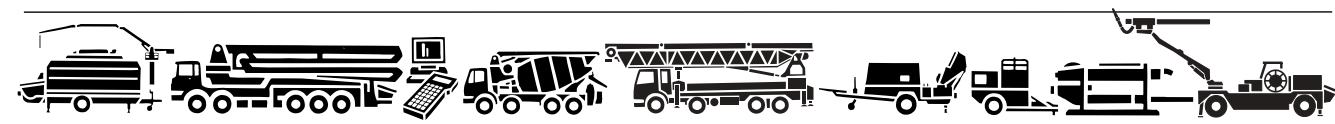
Designation	Part-No.	Price/unit EUR	Approx. weight unit/kg	Partgroup/ RST
Delivery pipe 1000 mm lg	086901.000	126,00	10,6	5
Delivery pipe 2000 mm lg	086900.001	141,00	19,5	5
Delivery pipe 3000 mm lg	086902.009	155,00	29,0	5
Delivery pipe 6000 mm lg	239916.004	227,00		5
Raw pipe approx. 6000 mm lg	005460.001	on request		
Welding ring ZXV	086895.006	19,50	0,8	5
Welding ring ZXM	086894.007	20,50	0,8	5

### Standard concrete delivery line ZX 80, 100 m long, consisting of:

Quantity	Designation	Part-No.	Price/unit EUR	Approx. weight kg
32	Delivery pipe 3.0 m	086902.009	155,00	29,0
2	Delivery pipe 2.0 m	086900.001	141,00	19,5
2	Delivery pipe 1.0 m	086901.000	126,00	10,6
6	Large radius elbow 90°, r = 1000	239342.005	900,00	27,0
45	ZXK-coupling	252688.005	82,00	3,0
45	Seal	041877.001	2,30	0,1
	<b>Total</b>		<b>14274,50</b>	<b>1253,5</b>

### Standard concrete delivery line ZX 80, 200 m long, consisting of:

Quantity	Designation	Part-No.	Price/unit EUR	Approx. weight kg
65	Delivery pipe 3000 mm lg	086902.009	155,00	29,0
2	Delivery pipe 2000 mm lg	086900.001	141,00	19,5
1	Delivery pipe 1000 mm lg	086901.000	126,00	10,6
10	Delivery elbow 90°	231230.005	392,00	5,8
2	Delivery elbow 45°	231218.001	267,00	8,1
82	ZXK-coupling	252688.005	82,00	2,3
82	Seal	041877.001	2,30	0,1
	<b>Total</b>		<b>21239,00</b>	<b>2409,1</b>



#### Putzmeister Products and Services:

- PM-Concrete Pumps
- PM-Systems Engineering PAT
- PM-Telebelt
- PM-Mörtelmaschinen GmbH
- PM-Dynajet High Pressure Cleaners
- PM-Services
- PM-Concrete Project Division CPD
- PM-Consulting und Data Technology PCD
- PM-Academie GmbH



Putzmeister AG  
Max-Eyth-Str. 10 · D-72631 Aichtal  
P.O. Box 2152 · D-72629 Aichtal  
Tel. +49 (71 27) 599-0  
Fax +49 (71 27) 599-520  
Internet: <http://www.putzmeister.de>  
E-mail: [pmw@pmw.de](mailto:pmw@pmw.de)

## Delivery elbows

Designation		Part-No.	Price/unit EUR	Approx. weight unit/kg	Partgroup/ RST
Delivery elbow	15° LP, r = 281 HP	252737.008	on request		
Delivery elbow	30° LP, r = 281 HP	252736.009	on request		
Delivery elbow	45° LP, r = 281 HP	231218.001	267,00	8,1	5
Delivery elbow	90° LP, r = 281 HP	231230.005	392,00	5,8	5

## Large radius elbows

Designation		Part-No.	Price/unit EUR	Approx. weight unit/kg	Partgroup/ RST
Large radius elbow	15°, r= 1000	252676.004	on request		
Large radius elbow	30°, r= 1000	252708.008	on request		
Large radius elbow	45°, r= 1000	252707.009	on request		
Large radius elbow	90°, r= 1000	239342.005	900,00	27,0	5

## Delivery hoses ZX

Designation		Part-No.	Price/unit EUR	Approx. weight unit/kg	Partgroup/ RST
Delivery hose	3000 mm lg	233833.002	489,00	28,0	5
Delivery hose	5000 mm lg	232242.005	649,00		5
Delivery hose	10000 mm lg	232241.006	1007,00		5

## Transition pieces

Designation		Part-No.	Price/unit EUR	Approx. weight unit/kg	Partgroup/ RST
Transition piece	ZXM80 – SK65/3, 200 mm lg	232030.000	307,00	3,4	5
Transition piece	ZXV80 – SK65/3, 200 mm lg	232035.005	303,00	3,5	5

## Cleaning accessories

Designation		Part-No.	Price/unit EUR	Approx. weight unit/kg	Partgroup/ RST
Sponge ball	soft/medium	230227.006	7,10	0,2	6
Catching basket	ZXV for sponge ball	279328.005	on request	2,3	

## Other accessories

Designation		Part-No.	Price/unit EUR	Approx. weight unit/kg	Partgroup/ RST
T-delivery pipe	1000 mm lg, HP	234082.001	294,00	13,2	5
Lid	ZXV	234093.003	109,00	1,8	5
Wall thickness measuring unit		277434.001	1020,00	1,0	7

This brochure is subject to permanent pricing. The quoted prices are not binding.  
On request we shall be pleased to submit a detailed quotation. 05/2003.