

Concrete Delivery line ZX 140/5 LP 85 bar



ZX 140/5 ZX LP 85 bar – ST 52 Plus

Delivery line:

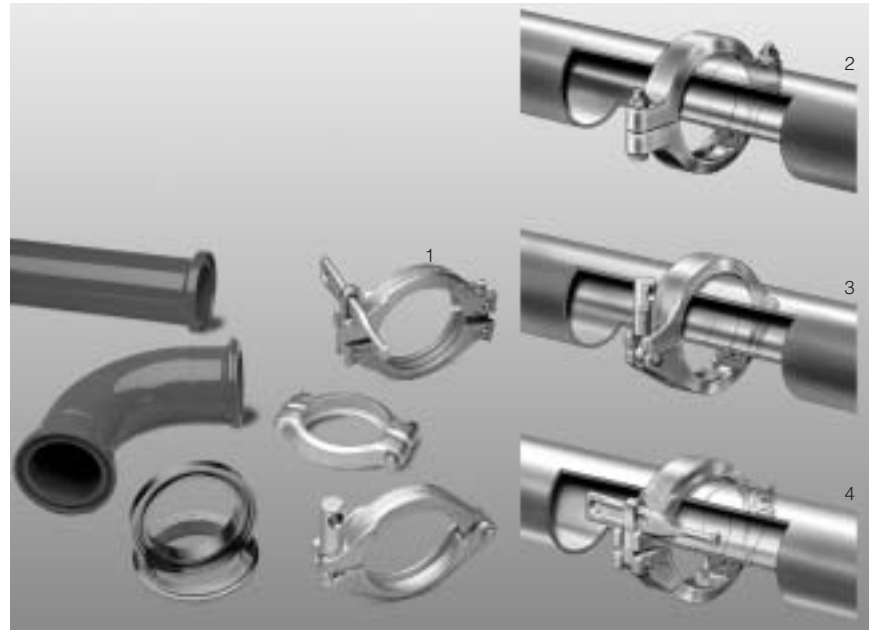
Operating pressure 85 bar, statically calculated for abrasive media. A ZX- line always begins with ZXV-connection and ends with ZXM-connection.

Delivery elbows:

Steel elbows with wear protection.

Delivery hoses:

SK-System with transition piece ZX, operating pressure 85 bar, safety factor 2, 4-layer steel wire, wall thickness 16 mm with hardened pressed fittings.



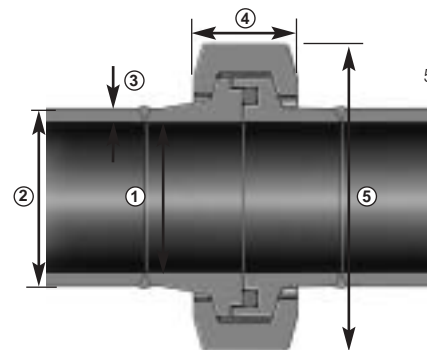
Technical dimensions:

Pipe

1. Inside diameter	143,4 mm
2. Outside diameter	152,4 mm
3. Wall thickness	4,5 mm

Coupling

4. Width	50 mm
5. Outside diameter max.	
Screw version	280 mm
One-bolt version	370 mm



Couplings / Seals

Designation	Part-No.	Price/unit EUR	Approx. weight unit/kg	Partgroup/ RST
Screw coupling ZX-S assembly kit	057329.006	54,60	2,8	
One-bolt coupling ZX-K	051342.005	76,50	5,5	6
Seal 152,0 x 5,1	041323.005	2,40	0,1	6

Delivery pipes / Welding rings

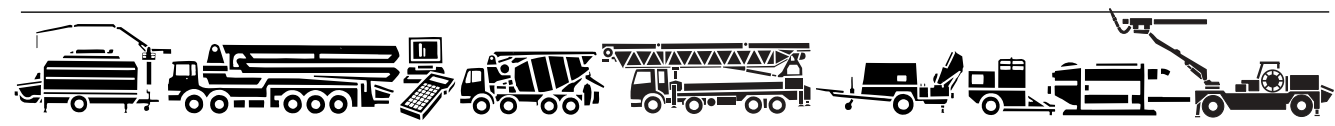
Designation	Part-No.	Price/unit EUR	Approx. weight unit/kg	Partgroup/ RST
Delivery pipe 1000 mm lg	056417.003	181,00	18,2	5
Delivery pipe 2000 mm lg	056647.006	237,00	30,0	5
Delivery pipe 3000 mm lg	056648.005	284,00	51,0	5
Delivery pipe 6000 mm lg	089623.000	488,00	126,0	5
Raw pipe approx. 6000 mm lg	005465.006	on request		
Welding ring ZXV	056402.005	23,00	0,9	5
Welding ring ZXM	056401.006	33,80	1,2	5

Standard concrete delivery line ZX 140, 100 m long, consisting of:

Quantity	Designation	Part-No.	Price/unit EUR	Approx. weight kg
32	Delivery pipe 3000 mm lg	056648.005	284,00	51,0
2	Delivery pipe 2000 mm lg	056647.006	237,00	30,0
2	Delivery pipe 1000 mm lg	056417.003	181,00	18,2
6	Large radius elbow 90°, r = 1000	051820.006	946,00	42,0
2	Large radius elbow 45°, r = 1000	057665.003	808,00	26,0
45	ZX-S-coupling	057329.006	54,60	2,8
45	Seal	041323.005	2,40	0,1
6	Sponge ball	026650.007	15,20	0,4
	Total		19295,20	2190,9

Standard concrete delivery line ZX 140, 200 m long, consisting of:

Quantity	Designation	Part-No.	Price/unit EUR	Approx. weight kg
65	Delivery pipe 3000 mm lg	056648.005	284,00	51,0
2	Delivery pipe 2000 mm lg	056647.006	237,00	30,0
1	Delivery pipe 1000 mm lg	056417.003	181,00	18,2
10	Large radius elbow 90°, r = 1000	051820.006	946,00	42,0
2	Large radius elbow 45°, r = 1000	057665.003	808,00	26,0
82	ZX-S-coupling	057329.006	54,60	2,8
82	Seal	041323.005	2,40	0,1
10	Sponge ball	026650.007	15,20	0,4
	Total		34002,40	4138,6



Putzmeister Products and Services:

- PM-Concrete Pumps
- PM-Systems Engineering PAT
- PM-Telebelt
- PM-Mörtelmaschinen GmbH
- PM-Dynajet High Pressure Cleaners
- PM-Services
- PM-Concrete Project Division CPD
- PM-Consulting und Data Technology PCD
- PM-Academie GmbH



Putzmeister AG
Max-Eyth-Str. 10 · D-72631 Aichtal
P.O. Box 2152 · D-72629 Aichtal
Tel. +49 (71 27) 599-0
Fax +49 (71 27) 599-520
Internet: <http://www.putzmeister.de>
E-mail: pmw@pmw.de

Delivery elbows

Designation		Part-No.	Price/unit EUR	Approx. weight unit/kg	Partgroup/ RST
Delivery elbow	15° LP, r = 281	081040.005	338,00	8,0	5
Delivery elbow	30° LP, r = 281	057592.008	552,00	9,5	5
Delivery elbow	90° LP, r = 281	057590.000	666,00	14,8	5

Large radius elbows

Designation		Part-No.	Price/unit EUR	Approx. weight unit/kg	Partgroup/ RST
Large radius elbow	15°, r= 1000	057667.001	558,00	13,8	5
Large radius elbow	30°, r= 1000	057666.002	718,00	21,5	5
Large radius elbow	45°, r= 1000	057665.003	808,00	26,0	5
Large radius elbow	90°, r= 1000	051820.006	946,00	42,0	6

Delivery hoses, SK-system, fitted on both sides

Designation		Part-No.	Price/unit EUR	Approx. weight unit/kg	Partgroup/ RST
ZX delivery hoses can only be used with SK hose nozzles. This is why transition pieces ZX-SK and SK couplings are essential for operation.					
Delivery hose	3000 mm lg	053180.003	805,00	56,7	6
Delivery hose	5000 mm lg	088825.003	1090,00	68,0	6

Transition pieces and accessories for connection of pipeline ZX with hose SK

Designation		Part-No.	Price/unit EUR	Approx. weight unit/kg	Partgroup/ RST
Transition piece	SK 150/6 - ZXV 140, 100 mm lg	056709.009	267,00	4,9	5
Transition piece	SK 150/6 - ZXM 140, 100 mm lg	222070.009	357,00	6,5	5
Lever coupling	SK-H 150/6 LP	026499.006	72,60	7,4	6
Seal A	SK 150/67	002231.000	3,80	0,3	6
Circlip		018878.004	2,50	0,2	6

Reductions/ Transition pieces

Designation		Part-No.	Price/unit EUR	Approx. weight unit/kg	Partgroup/ RST
Transition piece	ZXV 140 - SK125/5.5; 100 mm lg	081168.000	263,00	3,5	5
Transition piece	ZXV 140 - SK125/5.5; 200 mm lg	081651.009	624,00	9,3	
Transition piece	ZXV 140 - SK120/5; 100 mm lg	081169.009	230,00	4,4	5
Transition piece	ZXV 140 - SK120/5; 200 mm lg	081650.000	on request	9,0	
Transition piece	ZXV 140 - SK100/4.5; 200 mm lg	081527.007	on request	9,0	
Transition piece	ZXV 140 - SK100/4; 200 mm lg	081652.008	on request	9,0	

Cleaning accessories

Designation		Part-No.	Price/unit EUR	Approx. weight unit/kg	Partgroup/ RST
Sponge ball	medium	026650.007	15,20	0,4	6
Sponge ball	for suction cleaning	063597.000	6,10	0,3	6
Cleaning pig	for stationary lines	253955.009	155,00	2,7	5
Catching basket	ZXV 140 for sponge ball	277402.004	on request	2,3	
Cleaning port		056712.009	251,00	9,0	5
Cleaning lid	ZXV 125-140 for water connection	057620.006	115,00	4,3	5

Shut-off valves / Transfer tubes and accessories

Designation		Part-No.	Price/unit EUR	Approx. weight unit/kg	Partgroup/ RST
Manual shut-off valve	GVM 2/2, 130 bar	080268.008	2286,00	67,0	5
Hydr. shut-off valve	GVH 2/2, 130 bar w. end switch	222072.007	13795,00	317,0	5
Hydr. shut-off valve	GVH 2/2, 130 bar	088824.004	11099,00	315,0	5
Hydr. shut-off valve	GVH 4/2, 130 bar w. end switch	251947.006	on request		
Hydr. shut-off valve	GVH 4/2, 130 bar	025101.007	on request		
Hydr. shut-off valve	GVH 6/3, 85 bar w. end switch	231880.002	on request		
Pig ingate	PVH 6/2	238695.009	on request		
Hydraulic unit	with manual pump without accumulator	239604.006	1316,00	37,0	5
Hydraulic unit	with electric drive and manual control valve	050485.002	5595,00	190,0	5
Connection accessories for shut-off valve on concrete pump consisting of:					
control block 220 bar, hydraulic hoses with fittings		025105.003	848,00	8,2	5
Hydr. connection hose RAD 12 à 5 m length - concrete pump to shut-off valve (min. 4 pcs. required)		042950.008	89,20	3,2	5
Hydr. connection hose RAD 12 à 10 m length - concrete pump to shut-off valve (min. 2 pcs. required)		240583.002	141,00	7,0	5
Fittings B-GV 12 L (2 pcs. required)		043236.006	8,20	0,1	5
Forked pipe 85 bar 600 mm lg		237344.005	2161,00	1,0	5
Hydraulic units with electric valves, control cabinet and remote control			on request		

Other accessories

Designation		Part-No.	Price/unit EUR	Approx. weight unit/kg	Partgroup/ RST
T-delivery pipe	1000 mm lg, HP	056629.008	556,00	7,5	5
Pressure gauge	ZX 100-140, up to 250 bar	056710.001	573,00	5,2	5
Lid	ZXV 125-140	054720.006	55,30	4,8	5
Wall thickness measuring unit		277434.001	1020,00	1,0	7

This brochure is subject to permanent pricing. The quoted prices are not binding.
On request we shall be pleased to submit a detailed quotation. 05/2003.