

Concrete Delivery line SK 150/6 LP 85 bar



ST 52 Plus low pressure SK 150/6 85 bar

Delivery line:

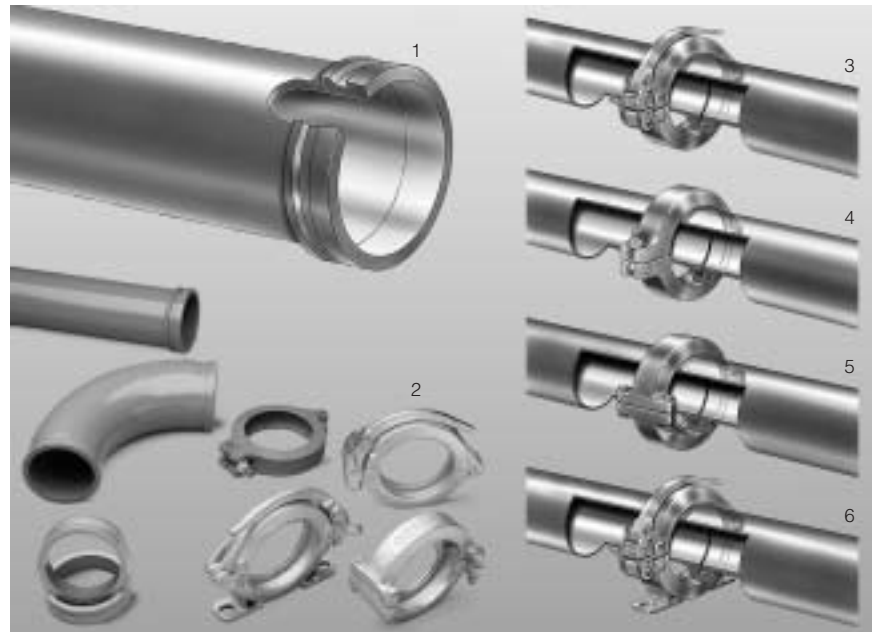
Operating pressure 85 bar, statically calculated for abrasive media

Delivery elbows:

Manganese hard cast

Delivery hoses:

Operating pressure 40 bar,
2 x safety, 4 steel cord inserts,
wall thickness 16mm with hardened
squeeze-in sockets



Technical dimensions:

Pipe

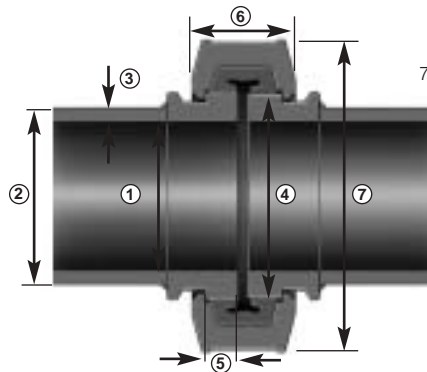
1. Inside diameter	150 mm
2. Outside diameter	159 mm
3. Wall thickness	4,5 mm
Weight	17,1 kg

Welding ring

4. Outside diameter	167 mm
5. Shoulder measurement	22 mm

Lever coupling

6. Width	38 mm
7. Outside diameter (incl. lever)	317 mm



Couplings / Seals

Designation	Part-No.	Price/unit EUR	Approx. weight unit/kg	Partgroup/ RST	
Lever coupling	SK-H	026499.006	72,60	7,4	6
Screw coupling	SK-S	026794.002	127,00	11,5	6
Mounting coupling	SK-H	051579.001	157,00	12,0	5
Pressure screw coupling	SK-S up to 130 bar	081530.007	128,00	8,8	5
Seal A	non-divided	002231.000	3,80	0,3	6
Safety split pin		018878.004	2,50	0,1	6

Delivery pipes

Designation	Part-No.	Price/unit EUR	Approx. weight unit/kg	Partgroup/ RST	
Delivery pipe	500 lg	021720.000	113,00	11,0	6
Delivery pipe	1000 lg	021725.005	116,00	19,0	6
Delivery pipe	2000 lg	021729.001	146,00	38,0	6
Delivery pipe	3000 lg	021731.002	199,00	46,0	6
Delivery pipe	6000 lg	088473.002	370,00	114,0	6
Raw pipe	approx. 6000 lg	005374.003	on request	18,0	5
Welding ring		021701.003	17,30	2,0	6

Standard concrete delivery line DN 150 mm - 6; 50 m long, consisting of:

Amount	Designation	Part no.	Price/unit EUR	Approx. weight/ unit/kg
15	Delivery pipe 3000 lg	021731.002	199,00	46,0
2	Delivery pipe 2000 lg	021729.001	146,00	38,0
1	Delivery pipe 1000 lg	021725.005	116,00	19,0
3	Delivery pipe elbow 90°	263206.007	266,00	19,0
2	Delivery pipe elbow 45°	021845.008	243,00	9,1
1	T-delivery pipe	026714.008	320,00	22,5
1	Pressure gauge	026702.007	879,00	6,4
25	Lever coupling SK-H	026499.006	72,60	7,4
25	Seal	002231.000	3,80	0,2
25	Safety split pin	018878.004	2,50	0,1
1	Delivery hose 3000 lg	053180.003	805,00	56,7
4	Sponge ball	026650.007	15,20	0,4
Total			8620,30	1124,1

Standard concrete delivery line DN 150 mm - 6; 100 m long, consisting of:

Amount	Designation	Part no.	Price/unit EUR	Approx. weight/ unit/kg
32	Delivery pipe 3000 lg	021731.002	199,00	46,0
2	Delivery pipe 2000 lg	021729.001	146,00	38,0
2	Delivery pipe 1000 lg	021725.005	116,00	19,0
1	Large pipe elbow R = 1000, 90°	026851.000	990,00	58,0
6	Delivery pipe elbow 90°	021700.004	266,00	19,2
2	Delivery pipe elbow 45°	021845.008	243,00	9,1
1	T-delivery pipe	026714.008	320,00	22,5
1	Pressure gauge	026702.007	879,00	5,0
45	Lever coupling SK-H	026499.006	72,60	6,0
45	Seal	002231.000	3,80	0,2
45	Safety split pin	018878.004	2,50	0,1
1	Delivery hose 3000 lg	053180.003	805,00	56,7
6	Sponge ball	026650.007	15,20	0,4
Total			15414,70	2121,1

Standard concrete delivery line DN 150 mm - 6; 200 m long, consisting of:

Amount	Designation	Part no.	Price/unit EUR	Approx. weight/ unit/kg
65	Delivery pipe 3000 lg	021731.002	199,00	46,0
2	Delivery pipe 2000 lg	021729.001	146,00	38,0
1	Delivery pipe 1000 lg	021725.005	116,00	19,0
2	Large pipe elbow R = 1000, 90°	026851.000	990,00	58,0
10	Delivery pipe elbow 90°	021700.004	on request	13,8
2	Delivery pipe elbow 45°	021845.008	243,00	9,1
1	Delivery pipe elbow 30°	057599.001	217,00	7,3
1	T-delivery pipe	026714.008	320,00	22,5
1	Pressure gauge	026702.007	879,00	6,4
82	Lever coupling SK-H	026499.006	72,60	7,4
82	Seal	002231.000	3,80	0,2
82	Safety split pin	018878.004	2,50	0,1
1	Delivery hose 3000 lg	053180.003	805,00	56,7
10	Sponge ball	026650.007	15,20	0,4
Total			26929,20	3969,3



Putzmeister Products and Services:

- PM-Concrete Pumps
- PM-Systems Engineering PAT
- PM-Telebelt
- PM-Mörtelmaschinen GmbH
- PM-Dynajet High Pressure Cleaners
- PM-Services
- PM-Concrete Project Division CPD
- PM-Consulting und Data Technology PCD
- PM-Academie GmbH



Putzmeister AG
Max-Eyth-Str. 10 · D-72631 Aichtal
P.O. Box 2152 · D-72629 Aichtal
Tel. +49 (71 27) 599-0
Fax +49 (71 27) 599-520
Internet: <http://www.putzmeister.de>
E-mail: pmw@pmw.de

Compensation pipe, complete

Designation	Part-No.	Price/unit EUR	Approx. weight unit/kg	Partgroup/ RST
Compensation pipe up to 500 lg	225454.004	on request	8,7	
Compensation pipe 501 - 1000 lg	225455.003	on request	17,5	
Compensation pipe 1001 - 1500 lg	054158.005	on request	28,5	
Compensation pipe 1501 - 2000 lg		on request		
Compensation pipe 2001 - 2500 lg	088566.003	on request	46,0	
Compensation pipe 2501 - 3000 lg		on request		
Compensation pipe 3001 - 3500 lg		on request		
Compensation pipe 3501 - 4000 lg	225456.002	on request	70,0	
Compensation pipe 4001 - 4500 lg	054157.006	on request	78,5	5

Delivery pipe elbows

Designation	Part-No.	Price/unit EUR	Approx. weight unit/kg	Partgroup/ RST
Delivery pipe elbow 15° ND, r = 281	057600.000	282,00	6,0	6
Delivery pipe elbow 20° ND, r = 281	257140.001	264,00	6,5	6
Delivery pipe elbow 30° HD, Cast r = 281	057599.001	217,00	7,3	6
Delivery pipe elbow 45° HD, Cast r = 281	021845.008	243,00	9,1	6
Delivery pipe elbow 90° HD, Cast r = 281	263206.007	266,00	19,2	6

Big radius elbows

Designation	Part-No.	Price/unit EUR	Approx. weight unit/kg	Partgroup/ RST
Big radius elbow 15° HD, r= 1000	057655.000	on request		5
Big radius elbow 30° HD, r= 1000	057654.001	on request	23,3	5
Big radius elbow 45° HD, r= 1000	057653.002	on request	30,9	5
Big radius elbow 90° HD, r= 1000	026851.000	990,00	58,0	5

Delivery hoses, fixed on both sides

Designation	Part-No.	Price/unit EUR	Approx. weight unit/kg	Partgroup/ RST
Delivery hose 3000 lg	053180.003	805,00	56,7	6
Delivery hose 3900 lg	230902.004	on request		5
Delivery hose 4500 lg	233855.006	on request		5
Delivery hose 5000 lg	088825.003	1090,00	89,5	6

End hoses, fixed on one side

Designation	Part-No.	Price/unit EUR	Approx. weight unit/kg	Partgroup/ RST
End hose 3000 lg	262176.002	867,00		5
End hose 4000 lg	280687.007	on request		5
Holder for end hose	089935.002	on request	13,1	5

Reductions / transition pieces

Designation	Part-No.	Price/unit EUR	Approx. weight unit/kg	Partgroup/ RST
Reduction 150/6" - 125/5,5", 1000 lg	057605.005	326,00	22,0	6
Reduzierung 6" - 4,5", 1200 lg	238179.004	479,00		5
Reduzierung 6" - 5,5", 500 lg	221215.001	347,00	12,0	5
Reduzierung 6" - 5,5", 1500 lg	83664.007	437,00	34	5
Reduzierung 6" - 5,5", 1200 lg	226561.006	294,00	26,5	6

Cleaning accessories

Designation	Part-No.	Price/unit EUR	Approx. weight unit/kg	Partgroup/ RST
Sponge ball average	026650.007	15,20	0,4	6
Sponge cube for suction cleaning	063597.000	6,10	0,3	6
Cleaning scraper for stationary lines	253955.009	155,00	2,7	5
Catching basket for sponge ball	279238.001	on request	8,8	5
Cleaning connection	026709.000	266,00	14,5	5
Cleaning lid for water supply	054374.009	63,20	3,9	5
Sponge ball hard D 155	406379	36,80	0,5	5

Shut-off valves / Transfer tubes and accessories

Designation	Part-No.	Price/unit EUR	Approx. weight unit/kg	Partgroup/ RST
Manual shut-off valve GVM 2/2, 20 bar	089941.009	503,00	23,0	5
Manual shut-off valve GVM 2/2, 130 bar	024613.004	2085,00	72,5	5
Hydr. shut-off valve GVH 2/2, 20 bar	230833.005	3468,00	58,0	5
Hydr. shut-off valve GVH 2/2, 130 bar, with end switch	089942.008	8381,00		5
Hydr. shut-off valve GVH 2/2, 130 bar, with end switch	273303.000	on request		5
Hydr.-transfer tube DVH 5/2, 85 bar, with end switch	246917.009	7605,00		5
Scraper charge unit PVH 6/2 - I	251370.000	on request		5
Hydraulic unit hand pump without accumulator	293604.006	1316,00	37	5
Elektric-				
Hydraulic unit hand control valve up to 315 bar	050485:002	5595,00	190,0	5
Connection accessories for shut-off valve on concrete pump consisting of:				
control block 220 bar, hydraulic hoses with fittings	025105.003	848,00	8,2	5
Hydr. connection hose RAD 12 à 5 m length				
- concrete pump to shut-off valve (min. 4 pcs. required)	042950.008	89,20	3,2	5
Hydr. connection hose RAD 12 à 10 m length				
- concrete pump to shut-off valve (min. 2 pcs. required)	240583.002	141,00	7,0	5
Fittings B-GV 12 L (2 pcs. required)	043236.006	8,20	0,1	5
Hydraulic units with electric valves, control cabinet and remote control		on request		

Other accessories

Designation	Part-No.	Price/unit EUR	Approx. weight unit/kg	Partgroup/ RST
T-delivery pipe 1m, ND	026714.008	320,00	22,5	5
Pressure gauge up to 100 bar	026702.007	879,00	6,4	5
Lid	026715.007	81,10	4,4	5
Pipe attachment cpl.	052018.008	44,80	1,0	6
Rotary distributor RVO	051834.005	1063,00		5
Wall thickness gauge	277434.001	1020,00	1,0	7

This brochure is subject to permanent pricing. The quoted prices are not binding. On request we shall be pleased to submit a detailed quotation. 05/2003.