

Concrete Delivery line SK 125/5,5 LP 85 bar



ST 52 Plus low pressure SK 125/5,5 85 bar

Delivery line:

Operating pressure 85 bar, statically calculated for abrasive media

Delivery elbows:

Manganese hard cast or steel elbows with wear protection, large pipe elbows – wall thickness 7,1 mm

Delivery hoses:

Operating pressure 85 bar, 2 x safety, 4 steel cord inserts, wall thickness 16mm with hardened squeeze-in sockets

Technical dimensions:

Pipe

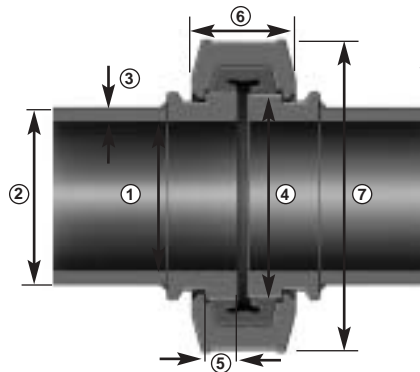
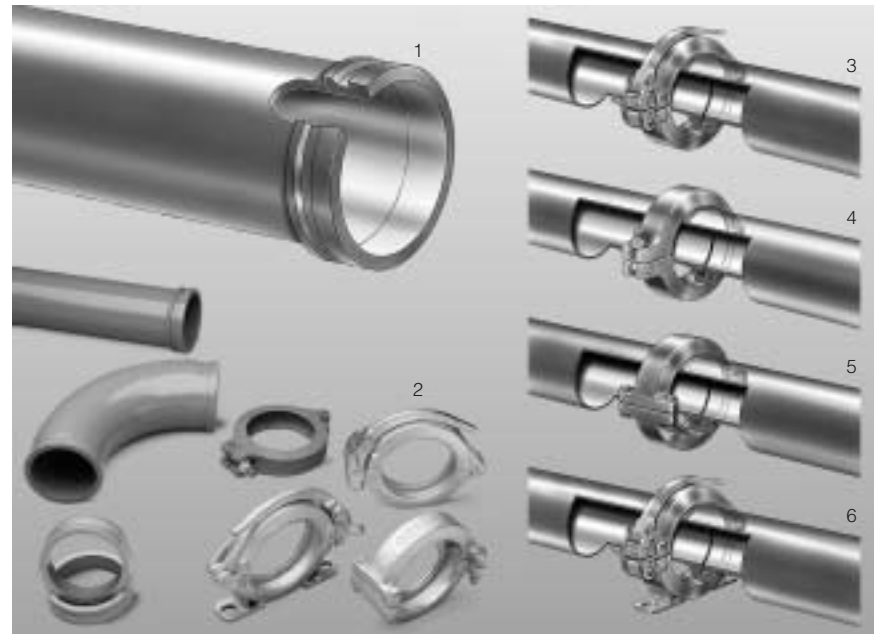
1. Inside diameter	125 mm
2. Outside diameter	133 mm
3. Wall thickness	4 mm
Weight	12,8 kg

Welding ring

4. Outside diameter	148 mm
5. Shoulder measurement	17 mm

Lever coupling

6. Width	38 mm
7. Outside diameter (incl. lever)	273 mm



Couplings / Seals

Designation	Part-No.	Price/unit EUR	Approx. weight unit/kg	Partgroup/ RST	
Lever coupling	SK-H	417249	28,80	3,9	6
Screw coupling	SK-S	058102.002	114,00	4,8	5
Mounting coupling	SK-H	057633.006	89,00	5,8	6
Lever coupling	SK-H up to 130 bar	055469.007	90,50	8,0	6
Seal A	non-divided	055559.001	1,50	0,2	6
Seal A	viton	257722.005	226,00	0,3	5
Seal C	tripple-lip	081669.004	1,90	0,2	6
Safety split pin		018878.004	2,50	0,1	6
Lever coupling	SH-H ECOLINE	276772.007	17,80	4,8	7
Lever coupling	SG-H PROLINE (Alu)	285480.005	49,90	2,2	6
Excentric coupling	SG-H	410679	133,00	4,0	6

Delivery pipes

Designation	Part-No.	Price/unit EUR	Approx. weight unit/kg	Partgroup/ RST	
Delivery pipe	500 lg	056848.009	53,70	8,0	6
Delivery pipe	1000 lg	056849.008	55,80	14,0	6
Delivery pipe	2000 lg	056850.000	70,60	27,2	6
Delivery pipe	3000 lg	056851.009	78,50	42,0	6
Delivery pipe	4000 lg	087668.009	135,00	25,8	5
Delivery pipe	6000 lg	057602.008	202,00	81,5	6
Raw pipe	approx. 6000 lg	005377.000	on request	13,0	5
Welding ring		056852.008	8,10	1,2	6

Standard concrete delivery line DN 125 mm - 5 1/2 ; 50 m long, consisting of:

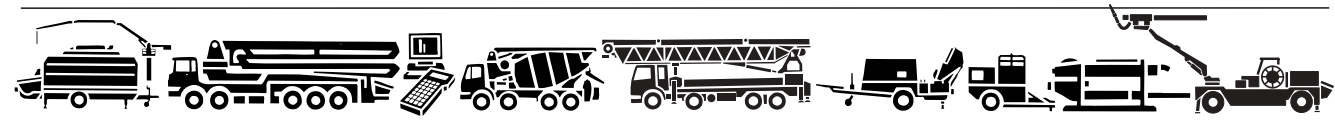
Amount	Designation	Part no.	Price/unit EUR	Approx. weight/ unit/kg
15	Delivery pipe 3000 lg	056851.009	78,50	42,0
2	Delivery pipe 2000 lg	056850.000	70,60	27,2
1	Delivery pipe 1000 lg	056849.008	55,80	14,0
3	Delivery pipe elbow 90°	055725.000	59,50	16,0
2	Delivery pipe elbow 45°	057596.004	79,30	6,8
25	Lever coupling SK-H	057153.007	28,90	5,1
25	Seal	055559.001	1,50	0,2
25	Safety split pin	018878.004	2,50	0,1
1	Delivery hose 3000 lg	057611.002	465,00	50,0
4	Sponge ball	018841.002	8,90	0,4
Total			3112,90	944,7

Standard concrete delivery line DN 125 mm - 5 1/2 ; 100 m long, consisting of:

Amount	Designation	Part no.	Price/unit EUR	Approx. weight/ unit/kg
32	Delivery pipe 3000 lg	056851.009	78,50	42,0
2	Delivery pipe 2000 lg	056850.000	70,60	27,2
2	Delivery pipe 1000 lg	056849.008	55,80	14,0
6	Delivery pipe elbow 90°	055725.000	59,50	14,6
2	Delivery pipe elbow 45°	057596.004	79,30	6,8
45	Lever coupling SK-H	057153.007	28,90	5,1
45	Seal	055559.001	1,50	0,2
45	Safety split pin	018878.004	2,50	0,1
1	Delivery hose 3000 lg	057611.002	465,00	50,0
6	Sponge ball	018841.002	8,90	0,4
Total			5414,30	1827,3

Standard concrete delivery line DN 125 mm -5 1/2 ; 200 m long, consisting of:

Amount	Designation	Part no.	Price/unit EUR	Approx. weight/ unit/kg
65	Delivery pipe 3000 lg	056851.009	78,50	42,0
2	Delivery pipe 2000 lg	056850.000	70,60	27,2
1	Delivery pipe 1000 lg	056849.008	55,80	14,0
10	Delivery pipe elbow 90°	055725.000	59,50	14,6
2	Delivery pipe elbow 45°	057596.004	79,30	6,8
1	Delivery pipe elbow 30°	258935.008	49,60	4,9
82	Lever coupling SK-H	057153.007	28,90	5,1
82	Seal	055559.001	1,50	0,2
82	Safety split pin	018878.004	2,50	0,1
1	Delivery hose 3000 lg	057611.002	465,00	50,0
10	Sponge ball	018841.002	8,90	0,4
Total			9560,70	3467,7



Putzmeister Products and Services:

- PM-Concrete Pumps
- PM-Systems Engineering PAT
- PM-Telebelt
- PM-Mörtelmaschinen GmbH
- PM-Dynajet High Pressure Cleaners
- PM-Services
- PM-Concrete Project Division CPD
- PM-Consulting und Data Technology PCD
- PM-Academie GmbH



Putzmeister AG
Max-Eyth-Str. 10 · D-72631 Aichtal
P.O. Box 2152 · D-72629 Aichtal
Tel. +49 (71 27) 599-0
Fax +49 (71 27) 599-520
Internet: <http://www.putzmeister.de>
E-mail: pmw@pmw.de

Compensation pipe, complete

Designation	Part-No.	Price/unit EUR	Approx. weight unit/kg	Partgroup/ RST
Compensation pipe up to 500 lg	225452.006	69,40	6,5	6
Compensation pipe 501 - 1000 lg	225453.005	71,10	13,0	5
Compensation pipe 1001 - 1500 lg	056876.000	86,20	22,5	5
Compensation pipe 1501 - 2000 lg	082713.001	96,50	40,0	5
Compensation pipe 2001 - 2500 lg	057323.002	107,00	33,5	5
Compensation pipe 2501 - 3000 lg	082715.009	119,00	40,0	5
Compensation pipe 3001 - 3500 lg	057324.001	130,00	48,5	5
Compensation pipe 3501 - 4000 lg	082717.007	140,00	54,5	5
Compensation pipe 4001 - 4500 lg	056878.008	151,00	60,5	5

Delivery pipe elbows

Designation	Part-No.	Price/unit EUR	Approx. weight unit/kg	Partgroup/ RST
Delivery pipe elbow 10° ND, r = 275	088026.006	157,00	3,2	6
Delivery pipe elbow 15° ND, r = 275	057598.002	121,00	4,1	6
Delivery pipe elbow 20° ND, Cast r = 275	245484.009	78,40	4,0	6
Delivery pipe elbow 30° HD, Cast r = 275	258935.008	49,60	4,9	6
Delivery pipe elbow 45° HD, Cast r = 275	057596.004	59,30	6,8	6
Delivery pipe elbow 90° HD, Cast r = 275	055725.000	59,50	16,0	6
Delivery pipe elbow 90° HD, Cast r = 180	024783.002	132,00	11,3	6
Delivery pipe elbow 90° HD, with worked ends	261402.007	59,50	16,0	6

Big radius elbows

Designation	Part-No.	Price/unit EUR	Approx. weight unit/kg	Partgroup/ RST
Big radius elbows 15° HD, r= 1000	223667.000	236,00	14,0	6
Big radius elbows 30° HD, r= 1000	223666.001	319,00	20,0	6
Big radius elbows 45° HD, r= 1000	223665.002	337,00	26,0	6
Big radius elbows 90° HD, r= 1000	223664.003	398,00	36,5	6

Delivery hoses, fixed on both sides + ECOLINE hoses

Designation	Part-No.	Price/unit EUR	Approx. weight unit/kg	Partgroup/ RST
Delivery hose 2000 lg	027643.000	510,00	34,0	6
Delivery hose 2200 lg	224815.000	541,00	35,0	5
Delivery hose 2700 lg	225838.002	on request	40,0	5
Delivery hose 3000 lg	057611.002	465,00	50,0	6
Delivery hose 4000 lg	089983.009	560,00	59,0	6
Delivery hose 5000 lg	057612.001	655,00	70,0	6
Delivery hose 6000 lg	057613.000	825,00	85,0	6
Delivery hose 10000 lg	259907.006	1430,00	118,0	6
Delivery hose 12000 lg	259489.003	on request	138,0	5

End hoses, fixed on one side

Designation	Part-No.	Price/unit EUR	Approx. weight unit/kg	Partgroup/ RST
End hose 1000 lg	244927.004	on request	19,0	5
End hose 3000 lg	233649.005	357,00	38,0	6
End hose 4000 lg	242838.001	456,00	50,0	6
End hose 5000 lg	239129.008	842,00	61,0	6
End hose 6000 lg	237592.006	918,00	80,0	5
Raw hose without fixing	227110.003	on request	10,0	6
End hose 2200 lg with reinforcing springs	224812.003	523,00	38,0	5
End hose lock	242055.004	208,00	0,6	5
Connection for plastic pipe	265433.001	221,00	11,0	5
End hose closure coupling	028946.007	129,00	5,3	5
Holder for end hose	054371.002	408,00	9,0	5
Pin pour 3 m cpl. incl. zoom nozzle	273843.007	758,00	41,0	5
Pin pour 4 m cpl. incl. zoom nozzle	273842.008	889,00	51,0	5
Zoom nozzle medium (standard)	262440.000	51,10	1,1	6
Zoom nozzle soft	277094.001	51,10	1,1	6
Zoom nozzle hard	279372.006	51,10	1,1	6

Reductions/transition pieces

Designation	Part-No.	Price/unit EUR	Approx. weight unit/kg	Partgroup/ RST
Reduction 6" - 5,5", 500 lg	221215.001	347,00	12,0	5
Pressure pipe-reduction 150/6" - 125/5,5", 200 lg	081050.008	132,00	7,6	6
Reduction 125/5,5" - 100/4,5", 1000 lg	057604.006	204,00	6	6
Reduction SK 100/4,5" - PXM 65/3", 1000 lg	256246.003	200,00	11,6	6

Cleaning accessories

Designation	Part-No.	Price/unit EUR	Approx. weight unit/kg	Partgroup/ RST
Sponge ball soft	230229.004	7,90	0,3	6
Sponge ball average	018841.002	8,90	0,4	6
Sponge ball hard	223673.007	13,90	0,6	6
Sponge cube for suction cleaning	063567.001	4,60	0,3	6
Sponge scraper for truck-mounted concrete pumps	253086.004	12,20	0,5	6
Cleaning scraper for truck-mounted concrete pumps	265417.001	155,00	0,3	5
Cleaning scraper for stationary lines	253953.001	137,00	1,9	5
Catching basket for sponge ball	276593.008	on request	4,6	5
Cleaning connection	057617.006	168,00	9,0	5
Cleaning lid for water supply	057619.004	50,00	2,4	5

Shut-off valves / Transfer tubes and accessories

Designation	Part-No.	Price/unit EUR	Approx. weight unit/kg	Partgroup/ RST
Manual shut-off valve GVM 2/2, 20 bar	224301.006	244,00	15,6	5
Manual shut-off valve GVM 2/2, 130 bar	050319.000	1394,00	60,0	5
Hydr. shut-off valve GVH 2/2, 20 bar	226489.007	3404,00		5
Hydr. shut-off valve GVH 2/2, 130 bar, with end switch	220560.003	5673,00	230,0	5
Hydr. shut-off valve GVH 2/2, 130 bar	220558.002	5297,00	1212,0	5
Hydr.-transfer tube DVH 5/2, 85 bar, with end switch	223391.004	on request		5
Hydr.-transfer tube DVH 5/2, 85 bar	024639.004	8138,00	280,0	5
Hydraulic unit hand pump without accumulator	293604.006	1316,00	37,0	5
Electric-hydraulic unit hand control valve up to 315 bar	050485.002	5595,00	190,0	5
Connection accessories for shut-off valve on concrete pump consisting of: control block 220 bar, hydraulic hoses with fittings	025105.003	848,00	8,2	5
Hydr. connection hose RAD 12 à 5 m length - concrete pump to shut-off valve (min. 4 pcs. required)	042950.008	89,20	3,2	5
Hydr. connection hose RAD 12 à 10 m length - concrete pump to shut-off valve (min. 2 pcs. required)	240583.002	141,00	7,0	5
Fittings B-GV 12 L (2 pcs. required)	043236.006	8,20	0,1	5
Forked pipe 85 bar	225832.008	935,00		5
Dublo				
Cleaning valve DVH 6/2 85 bar	258409.000	on request	122,0	5
Hydraulic units with electric valves, control cabinet and remote control		on request		

Other accessories

Designation	Part-No.	Price/unit EUR	Approx. weight unit/kg	Partgroup/ RST
T-delivery pipe 1000 lg, ND	057615.008	274,00	16,7	5
Pressure gauge bis 100 bar	057622.004	681,00	5,1	5
Lid	057628.008	55,80	2,4	5
Pipe attachment cpl.	051038.005	on request	0,9	6
Rotary distributor RVO	087178.007	954,00	72,0	5
Wall thickness gauge	277434.001	1020,00	0,9	7

This brochure is subject to permanent pricing. The quoted prices are not binding. On request we shall be pleased to submit a detailed quotation. 05/2003.