

Concrete Delivery line SK 120/5 LP 85 bar



ST 52 Plus low pressure SK 120/5 85 bar

Delivery line:

Operating pressure 85 bar, statically calculated for abrasive media

Delivery elbows:

Manganese hard cast or steel elbows with wear protection, large pipe elbows - wall thickness 6,3 mm

Delivery hoses:

Operating pressure 85 bar, 2 x safety, 4 steel cord inserts, wall thickness 16mm with hardened squeeze-in sockets

Technical dimensions:

Pipe

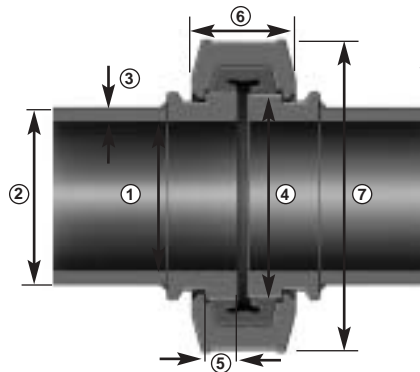
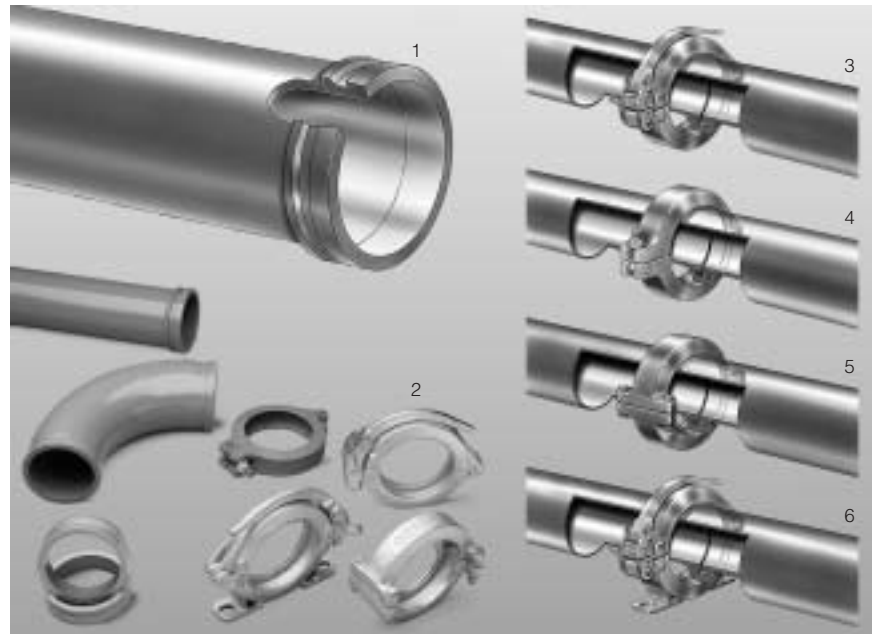
1. Inside diameter	119 mm
2. Outside diameter	127 mm
3. Wall thickness	4 mm
Weight	12,2 kg

Welding ring

4. Outside diameter	142 mm
5. Shoulder measurement	17 mm

Lever coupling

6. Width	38 mm
7. Outside diameter (incl. lever)	267 mm



Couplings / Seals

Designation	Part-No.	Price/unit EUR	Approx. weight unit/kg	Partgroup/ RST	
Lever coupling	SK-H	026142.007	33,50	5,0	6
Lever coupling	SK-H with riveted seal	026059.006	89,50	5,2	5
Screw coupling	SK-S	054960.002	110,00	9,2	5
Mounting coupling	SK-H	021493.007	91,00	5,6	5
Seal A	non-divided	026600.002	1,60	0,1	6
Seal A	viton	080680.000	83,50	0,3	5
Seal B	divided	026061.007	4,40	0,1	5
Seal C	triple-lip	051601.005	4,20	0,1	6
Safety split pin		018878.004	2,50	0,1	6

Delivery pipes

Designation	Part-No.	Price/unit EUR	Approx. weight unit/kg	Partgroup/ RST	
Delivery pipe	500 lg	026127.006	51,50	7,3	6
Delivery pipe	1000 lg	026126.007	57,50	14,0	6
Delivery pipe	2000 lg	026125.008	72,60	28,0	6
Delivery pipe	3000 lg	026124.009	78,50	38,0	6
Delivery pipe	6000 lg	088246.006	196,00	74,8	6
Raw pipe	approx. 6000 lg	005373.004	on request	12,2	6
Welding ring		053509.008	8,10	1,1	6

Standard concrete delivery line DN 120 mm - 5; 50 m long, consisting of:

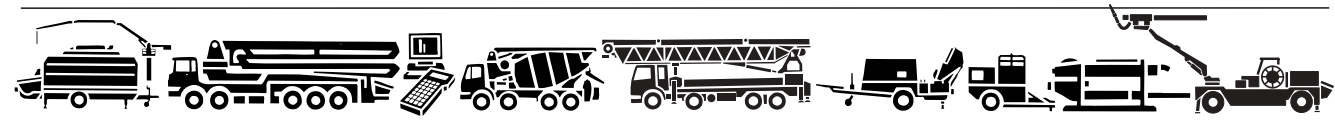
Amount	Designation	Part no.	Price/unit EUR	Approx. weight/ unit/kg
15	Delivery pipe 3000 lg	026124.009	78,50	38,0
2	Delivery pipe 2000 lg	026125.008	72,70	28,0
1	Delivery pipe 1000 lg	026126.007	57,50	14,0
3	Delivery pipe elbow 90°	021844.009	82,30	14,0
2	Delivery pipe elbow 45°	089625.008	166,00	5,2
23	Lever coupling SK-H	026142.007	33,50	5,0
23	Seal	026600.002	1,60	0,1
23	Safety split pin	018878.004	2,50	0,1
1	Delivery hose 3000 lg	021506.004	470,00	47,0
4	Sponge ball	018841.002	8,90	0,4
Total			3288,60	862,1

Standard concrete delivery line DN 120mm - 5; 100 m long, consisting of:

Amount	Designation	Part no.	Price/unit EUR	Approx. weight/ unit/kg
32	Delivery pipe 3000 lg	026124.009	78,50	38,0
2	Delivery pipe 2000 lg	026125.008	72,70	28,0
2	Delivery pipe 1000 lg	026126.007	57,50	14,0
6	Delivery pipe elbow 90°	021844.009	82,30	14,0
2	Delivery pipe elbow 45°	089625.008	166,00	5,2
45	Lever coupling SK-H	026142.007	33,50	5,0
45	Seal	026600.002	1,60	0,1
45	Safety split pin	018878.004	2,50	0,1
1	Delivery hose 3000 lg	021506.004	470,00	47,0
6	Sponge ball	018841.002	8,90	0,4
Total			5720,10	1680,8

Standard concrete delivery line DN 120 mm -5; 200 m long, consisting of:

Amount	Designation	Part no.	Price/unit DM	Approx. weight/ unit/kg
65	Delivery pipe 3000 lg	026124.009	78,50	38,0
2	Delivery pipe 2000 lg	026125.008	72,70	28,0
1	Delivery pipe 1000 lg	026126.007	57,50	14,0
10	Delivery pipe elbow 90°	021844.009	82,30	14,0
2	Delivery pipe elbow 45°	089625.008	166,00	5,2
1	Delivery pipe elbow 30°	021523.003	188,00	9,5
82	Lever coupling SK-H	026142.007	33,50	5,0
82	Seal	026600.002	1,60	0,1
82	Safety split pin	018878.004	2,50	0,1
1	Delivery hose 3000 lg	021506.004	470,00	47,0
10	Sponge ball	018841.002	8,90	0,4
Total			10103,20	3196,3



Putzmeister Products and Services:

- PM-Concrete Pumps
- PM-Systems Engineering PAT
- PM-Telebelt
- PM-Mörtelmaschinen GmbH
- PM-Dynajet High Pressure Cleaners
- PM-Services
- PM-Concrete Project Division CPD
- PM-Consulting und Data Technology PCD
- PM-Academie GmbH



Putzmeister AG
Max-Eyth-Str. 10 · D-72631 Aichtal
P.O. Box 2152 · D-72629 Aichtal
Tel. +49 (71 27) 599-0
Fax +49 (71 27) 599-520
Internet: <http://www.putzmeister.de>
E-mail: pmw@pmw.de

Compensation pipe, complete

Designation	Part-No.	Price/unit EUR	Approx. weight unit/kg	Partgroup/ RST
Compensation pipe up to 500 lg	225450.008	73,20	6,0	5
Compensation pipe 501 - 1000 lg	225451.007	74,90	12,2	5
Compensation pipe 1001 - 1500 lg	054153.000	90,60	20,5	5
Compensation pipe 1501 - 2000 lg	082701.000	101,00	25,7	5
Compensation pipe 2001 - 2500 lg	057314.008	113,00	32,5	5
Compensation pipe 2501 - 3000 lg	082703.008	127,00	37,0	5
Compensation pipe 3001 - 3500 lg	057315.007	136,00	42,5	5
Compensation pipe 3501 - 4000 lg	082705.006	147,00	48,3	5
Compensation pipe 4001 - 4500 lg	054156.007	159,00	53,3	5

Delivery pipe elbows

Designation	Part-No.	Price/unit EUR	Approx. weight unit/kg	Partgroup/ RST
Delivery pipe elbow 10° ND, r = 281	238660.005	on request		
Delivery pipe elbow 15° ND, r = 281	026565.008	164,00	7,5	5
Delivery pipe elbow 30° HD, Guß r = 281	021523.003	188,00	9,6	6
Delivery pipe elbow 45° HD, Guß r = 281	089625.008	166,00	5,2	6
Delivery pipe elbow 90° HD, Guß r = 281	021844.009	82,30	12,7	6

Big radius elbows

Designation	Part-No.	Price/unit EUR	Approx. weight unit/kg	Partgroup/ RST
Big radius elbow 15° HD, r= 1000	057649.003	on request		5
Big radius elbow 30° HD, r= 1000	057648.004	389,00	16,0	5
Big radius elbow 45° HD, r= 1000	057647.005	340,00	23,5	5
Big radius elbow 90° HD, r= 1000	026852.009	638,00	34,0	5

Delivery hoses, fixed on both sides

Designation	Part-No.	Price/unit EUR	Approx. weight unit/kg	Partgroup/ RST
Delivery hose 2000 lg	027385.009	on request		
Delivery hose 2200 lg	222700.007	on request		
Delivery hose 2600 lg	220252.007	on request		
Delivery hose 3000 lg	021506.004	470,00	47,0	6
Delivery hose 4000 lg	083177.002	612,00	51,5	6
Delivery hose 5000 lg	021534.005	638,00	53,2	6
Delivery hose 6000 lg	054125.009	925,00	83,0	6
Delivery hose 10000 lg	050795.006	1080,00	125,0	6

End hoses, fixed on one side

Designation	Part-No.	Price/unit EUR	Approx. weight unit/kg	Partgroup/ RST
End hose 3000 lg	233648.006	388,00	35,0	6
Raw hose without fixing	227110.003	on request		6
Delivery hose 2200 lg mit Versteifungsfedern	028515.001	525,00		5
End hose lock	242055.004	208,00	0,6	5
Delivery hose screw coupling	086133.001	on request	5,0	
Holder for end hose	054371.002	408,00	9,0	5
Pin pour 3 m cpl. incl. zoom-nozzle	276087.006	688,00		5
Pin pour 4 m cpl. incl. zoom-nozzle	276083.000	800,00		5
Zoom-nozzle medium (standard)	262440.000	51,10	1,1	6
Zoom-nozzle soft	277094.001	51,10	1,1	6
Zoom-nozzle hard	279372.006	51,10	1,1	6

Reductions / transition pieces

Designation	Part-No.	Price/unit EUR	Approx. weight unit/kg	Partgroup/ RST
Pressure pipe				
Reduction 150/6" - 120/5", 100 lg	081027.002	105,00	4,60	6
Reduction 150/6" - 120/5", 1000 lg	022215.006	586,00		5
Reduction 120/5" - 100/4", 1000 lg	053335.007	206,00	18,0	6
Reduction 100/4" - 65/3", 1000 lg	057330.008	203,00	11,3	6
Reduction SK 100/4" - PXM 65/3", 1000 lg	256247.002	219,00	11,4	6
Reduction SK 120/5" - SK 100/4,5", 1000 lg	086950.006	474,00	18,0	5
Reduction SK 120/5" - SK 100/4,5", 2500 lg	083806.001	420,00	46,0	6

Cleaning accessories

Designation	Part-No.	Price/unit EUR	Approx. weight unit/kg	Partgroup/ RST
Sponge ball soft	230229.004	7,90	0,3	6
Sponge ball average	018841.002	8,90	0,4	6
Sponge ball hard	223673.007	13,90	0,6	6
Sponge cube for suction cleaning	063567.001	4,60	0,3	6
Sponge scraper for truck-mounted concrete pumps	253086.004	12,20	0,5	6
Cleaning scraper for stationary lines	253953.001	137,00	1,9	5
Catching basket for sponge ball	279243.009	256,00	8,4	5
Cleaning connection	023008.005	153,00	8,0	5
Cleaning lid for water supply	054373.000	51,50	2,2	5

Shut-off valves / Transfer tubes and accessories

Designation	Part-No.	Price/unit EUR	Approx. weight unit/kg	Partgroup/ RST
Manual shut-off valve GVM 2/2, 20 bar	050471.003	244,00	14,0	5
Manual shut-off valve GVM 2/2, 130 bar	050316.003	1291,00	60,0	5
Hydr. shut-off valve GVH 2/2, 130 bar, with end switch	40343	on request	190,0	
Hydr. shut-off valve GVH 2/2, 130 bar	40348	on request	195,0	
Hydr. shut-off valve GVH 4/2, 130 bar	023752.005	on request	200,0	
Hydr.-transfer tube DVH 5/2, 85 bar, with end switch	050354.007	on request	265,0	
Hydr.-transfer tube DVH 5/2, 85 bar	089626.007	on request	295,0	
Hydraulic unit hand pump without accumulator	293604.006	1316,00	37,0	5
Electric-hydraulic unit hand control valve up to 315 bar	050485.002	5595,00	190,0	5
Connection accessories for shut-off valve on concrete pump consisting of: control block 220 bar, hydraulic hoses with fittings	025105.003	848,00	8,2	5
Hydr. connection hose RAD 12 à 5 m length - concrete pump to shut-off valve (min. 4 pcs. required)	042950.008	89,20	3,2	5
Hydr. connection hose RAD 12 à 10 m length - concrete pump to shut-off valve (min. 2 pcs. required)	240583.002	141,00	7,0	5
Fittings B-GV 12 L (2 pcs. required)	043236.006	8,20	0,1	5
Forked pipe 85 bar	089119.006	on request		
Hydraulic units with electric valves, control cabinet and remote control		on request		

Other accessories

Designation	Part-No.	Price/unit EUR	Approx. weight unit/kg	Partgroup/ RST
T-delivery pipe 1m, ND	022660.004	271,00	18,5	5
Pressure gage bis 100 bar	081194.003	630,00	6,1	5
Lid	022662.002	47,10	3,1	5
Pipe attachment cpl.	051038.005	on request	0,9	6
Rotary distributor RVO	051833.006	954,00	58,0	5
Wall thickness gauge	277434.001	1020,00	0,9	7

This brochure is subject to permanent pricing. The quoted prices are not binding. On request we shall be pleased to submit a detailed quotation. 05/2003.