

Concrete Delivery line SK 100/4,5 LP 85 bar



ST 52 Plus low pressure SK 100/4,5 85 bar

Delivery line:

Operating pressure 85 bar, statically calculated for abrasive media

Delivery elbows:

Manganese hard cast or steel elbows with wear protection, large pipe elbows – wall thickness 6,3 mm

Delivery hoses:

Operating pressure 85 bar, 2 x safety, 4 steel cord inserts, wall thickness 14 mm with hardened squeeze-in sockets

Technical dimensions:

Pipe

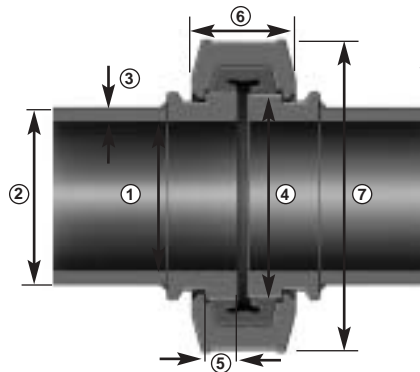
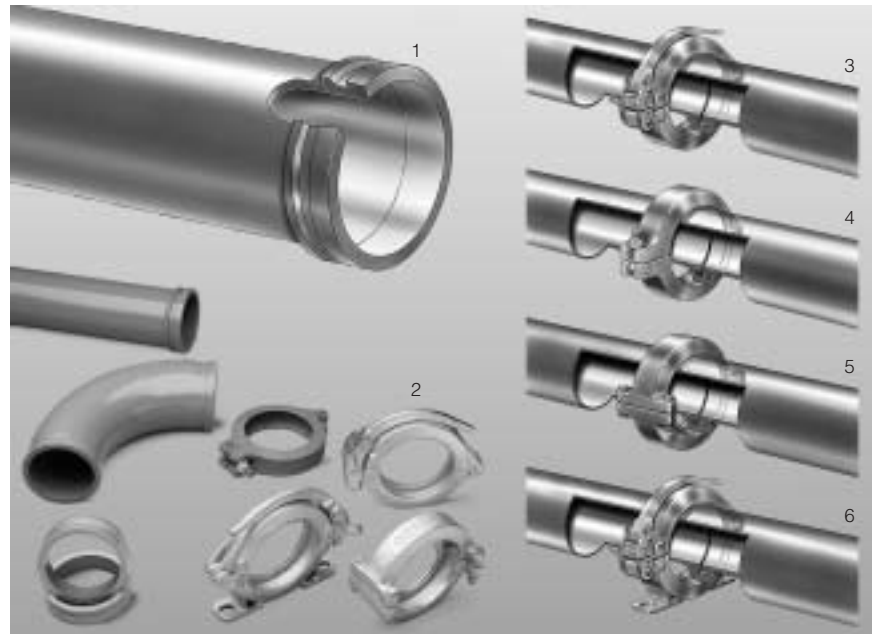
1. Inside diameter	100,8 mm
2. Outside diameter	108 mm
3. Wall thickness	3,6 mm
Weight	9,8 kg

Welding ring

4. Outside diameter	127 mm
5. Shoulder measurement	17 mm

Lever coupling

6. Width	38 mm
7. Outside diameter (incl. lever)	253 mm



Couplings / Seals

Designation	Part-No.	Price/unit EUR	Approx. weight unit/kg	Partgroup/ RST
Lever coupling	SK-H 056974.009	30,00	3,8	6
Screw coupling	SK-S 050984.008	85,80	3,4	5
Mounting coupling	SK-H 057632.007	82,40	4,2	5
Seal A	non-divided 057341.000	1,70	0,1	6
Seal C	triple-lip 081668.005	3,80	0,2	6
Safety split pin	018878.004	2,50	0,1	6

Delivery pipes

Designation	Part-No.	Price/unit EUR	Approx. weight unit/kg	Partgroup/ RST
Delivery pipe	500 lg 056860.003	61,30	7,6	6
Delivery pipe	1000 lg 056861.002	62,40	9,0	6
Delivery pipe	2000 lg 056862.001	64,00	25,0	6
Delivery pipe	3000 lg 056863.000	72,70	28,6	6
Delivery pipe	6000 lg 057601.009	156,00	61,0	6
Raw pipe	approx. 6000 lg 005372.005	on request	9,8	
Welding ring	056795.000	8,50	1,1	6

Standard concrete delivery line DN 100 mm - 4 1/2; 50 m long, consisting of:

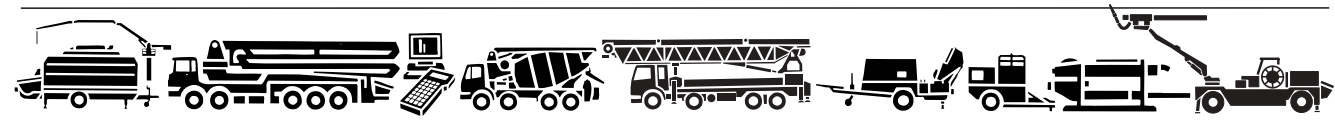
Amount	Designation	Part no.	Price/unit EUR	Approx. weight/ unit/kg
15	Delivery pipe 3000 lg	056863.000	72,70	28,6
2	Delivery pipe 2000 lg	056862.001	64,60	25,0
1	Delivery pipe 1000 lg	056861.002	62,40	9,0
3	Delivery pipe elbow 90°	056914.001	104,00	9,9
2	Delivery pipe elbow 45°	057593.007	140,00	6,1
1	T-delivery pipe	057614.009	271,00	12,3
1	Pressure gauge	057621.005	567,00	4,3
25	Lever coupling SK-H	056974.009	30,00	3,8
25	Seal	057341.000	1,70	0,1
25	Safety split pin	018878.004	2,50	0,1
1	Delivery hose 2850 lg	057607.003	414,00	34,0
4	Sponge ball	016091.003	7,10	0,2
	Total		4004,60	681,3

Standard concrete delivery line DN 100 mm - 4 1/2; 100 m long, consisting of:

Amount	Designation	Part no.	Price/unit EUR	Approx. weight/ unit/kg
32	Delivery pipe 3000 lg	056863.000	72,70	28,6
2	Delivery pipe 2000 lg	056862.001	64,00	25,0
2	Delivery pipe 1000 lg	056861.002	62,40	9,0
6	Delivery pipe elbow 90°	056914.001	104,00	9,9
2	Delivery pipe elbow 45°	057593.007	140,00	6,1
1	T-delivery pipe	057614.009	271,00	12,3
1	Pressure gauge	057621.005	567,00	4,3
45	Lever coupling SK-H	056974.009	30,00	3,8
45	Seal	057341.000	1,70	0,1
45	Safety split pin	018878.004	2,50	0,1
1	Delivery hose 2850 lg	057607.003	414,00	34,0
4	Sponge ball	016091.003	7,10	0,2
	Total		6309,40	1286,2

Standard concrete delivery line DN 100 mm - 4 1/2; 200 m long, consisting of:

Amount	Designation	Part no.	Price/unit EUR	Approx. weight/ unit/kg
65	Delivery pipe 3000 lg	056863.000	72,70	28,6
2	Delivery pipe 2000 lg	056862.001	64,60	25,0
1	Delivery pipe 1000 lg	056861.002	62,40	9,0
10	Delivery pipe elbow 90°	056914.001	104,00	9,9
2	Delivery pipe elbow 45°	057593.007	140,00	6,1
1	Delivery pipe elbow 30°	057594.006	141,00	4,0
1	T-delivery pipe	057614.009	271,00	12,3
1	Pressure gauge	057621.005	567,00	4,3
82	Lever coupling SK-H	056974.009	30,00	3,8
82	Seal	057341.000	1,70	0,1
82	Safety split pin	018878.004	2,50	0,1
1	Delivery hose 2850 lg	057607.003	414,00	34,0
10	Sponge ball	016091.003	7,10	0,2
	Total		10506,40	2414,8



Putzmeister Products and Services:

- PM-Concrete Pumps
- PM-Systems Engineering PAT
- PM-Telebelt
- PM-Mörtelmaschinen GmbH
- PM-Dynajet High Pressure Cleaners
- PM-Services
- PM-Concrete Project Division CPD
- PM-Consulting und Data Technology PCD
- PM-Academie GmbH



Putzmeister AG
Max-Eyth-Str. 10 · D-72631 Aichtal
P.O. Box 2152 · D-72629 Aichtal
Tel. +49 (71 27) 599-0
Fax +49 (71 27) 599-520
Internet: <http://www.putzmeister.de>
E-mail: pmw@pmw.de

Compensation pipe, complete

Designation	Part-No.	Price/unit EUR	Approx. weight unit/kg	Partgroup/ RST
Compensation pipe up to 500 lg	224267.001	63,50	5,4	5
Compensation pipe 501 - 1000 lg	224268.000	72,70	10,4	5
Compensation pipe 1001 - 1500 lg	056872.004	83,30	15,8	5
Compensation pipe 1501 - 2000 lg	082707.004	91,70	19,4	5
Compensation pipe 2001 - 2500 lg	057321.004	101,00	24,8	5
Compensation pipe 2501 - 3000 lg	082709.002	110,00	28,6	5
Compensation pipe 3001 - 3500 lg	057322.003	122,00	33,8	5
Compensation pipe 3501 - 4000 lg	082711.003	131,00	38,8	5
Compensation pipe 4001 - 4500 lg	056874.002	141,00	44,0	5

Delivery pipe elbows

Designation	Part-No.	Price/unit EUR	Approx. weight unit/kg	Partgroup/ RST
Delivery pipe elbow 9° ND, r = 275	027640.003	148,00	5,2	6
Delivery pipe elbow 15° ND, r = 275	057595.005	150,00	3,0	6
Delivery pipe elbow 30° HD, Cast r = 275	057594.006	141,00	5,0	6
Delivery pipe elbow 45° HD, Cast r = 275	057593.007	140,00	6,1	6
Delivery pipe elbow 90° HD, Cast r = 275	056914.001	104,00	9,9	6
Delivery pipe elbow 90° ND, Cast r = 180	083740.002	162,00	9,0	6

Big radius elbows

Designation	Part-No.	Price/unit EUR	Approx. weight unit/kg	Partgroup/ RST
Big radius elbow 15° HD, r= 1000, 6,3 mm	223671.009	on request		
Big radius elbow 30° HD, r= 1000, 6,3 mm	223670.000	446,00	14,6	5
Big radius elbow 45° HD, r= 1000, 6,3 mm	223669.008	511,00	18,9	5
Big radius elbow 90° HD, r= 1000, 6,3 mm	223668.009	706,00	36,0	5

Delivery hoses, fixed on both sides

Designation	Part-No.	Price/unit EUR	Approx. weight unit/kg	Partgroup/ RST
Delivery hose 2850 lg	057607.003	414,00	34,0	6
Delivery hose 3000 lg	253319.001	414,00		6
Delivery hose 4000 lg	083389.007	510,00	37,0	6
Delivery hose 5000 lg	057609.001	585,00	50,0	6
Delivery hose 6000 lg	027623.004	698,00	57,0	6

ECOLINE End hoses, fixed on one side

Designation	Part-No.	Price/unit EUR	Approx. weight unit/kg	Partgroup/ RST
End hose 3000 lg	233647.007	343,00	30,0	6
End hose 4000 lg	244014.001	403,00	40,0	6
End hose 5000 lg	250032.006	534,00		6
ECOLINE Raw hose without fixing	227109.001	on request		
End hose lock	266451.008	185,00	0,6	5
Holder for end hose	054370.003	403,00	7,5	5
Pin pour 3 m cpl. incl. nozzle (medium)	276232.000	617,00	41,0	5
Pin pour 4 m cpl. incl. nozzle (medium)	276231.001	710,00	51,0	5
Zoom nozzle medium (standard)	276375.006	49,50	0,7	6
Zoom nozzle soft	279018.001	49,50	0,7	6
Zoom nozzle hard	279017.002	49,50	0,7	6

Reductions / transition pieces

Designation	Part-No.	Price/unit EUR	Approx. weight unit/kg	Partgroup/ RST
Reduction 125/5,5" - 100/4,5", 800 lg	057603.007	151,00	9,9	6
Reduction 125/5,5" - 100/4,5", 1000 lg	057604.006	204,00	18,0	6
Reduction 125/5,5" - 100/4,5", 1500 lg	080617.002	335,00	28,0	5
Reduction 150/6" - 100/4,5", 1500 lg	222792.002	432,00		5

Additional reductions for 4,5"

Designation	Part-No.	Price/unit EUR	Approx. weight unit/kg	Partgroup/ RST
Reduction 100/4,5" - 65/3", 1000 lg	224269.009	174,00	13,8	6
Reduction 100/4,5" - 65/3", 2000 lg	249437.007	511,00	28,0	5
Reduction SK 100/4,5" - PXM 65/3", 1000 lg	256246.003	200,00	11,6	6

Cleaning accessories

Designation	Part-No.	Price/unit EUR	Approx. weight unit/kg	Partgroup/ RST
Sponge ball soft	230227.006	7,10	0,2	6
Sponge ball average	016091.003	7,10	0,2	6
Sponge ball hard	234053.001	10,00	0,3	6
Sponge cube for suction cleaning	243861.006	3,00	0,2	6
Sponge scraper for truck-mounted concrete pumps	256126.000	8,70	0,3	6
Cleaning scraper for stationary lines	253952.002	93,20	1,2	6
Catching basket for sponge ball	276715.006	on request	3,6	5
Cleaning connection	057616.007	161,00	6,0	5
Cleaning lid for water supply	057618.005	48,60	1,8	5

Shut-off valves / Transfer tubes and accessories

Designation	Part-No.	Price/unit EUR	Approx. weight unit/kg	Partgroup/ RST
Manual shut-off valve GVM 2/2, 20 bar	239333.001	273,00	19,0	5
Manual shut-off valve GVM 2/2, 130 bar	222362.005	1105,00	32,5	5
Hydr.-transfer tube DVH 5/2, 85 bar, with end switch	246839.006	7710,00		5
Hydr.-transfer tube DVH 5/2, 85 bar	246917.009	7605,00		5
Rotary distributor RVH 9/8	202672.003	on request		
Hydraulic unit hand pump without accumulator	293604.006	1316,00		5
Electric-hydraulic unit hand control valve up to 315 bar	050485.002	5595,00	190,0	5
Connection accessories for shut-off valve on concrete pump consisting of:				
control block 220 bar, hydraulic hoses with fittings	025105.003	848,00	8,2	5
Hydr. connection hose RAD 12 à 5 m length - concrete pump to shut-off valve (min. 4 pcs. required)	042950.008	89,20	3,2	5
Hydr. connection hose RAD 12 à 10 m length - concrete pump to shut-off valve (min. 2 pcs. required)	240583.002	141,00	7,0	5
Fittings B-GV 12 L (2 pcs. required)	043236.006	8,20	0,1	5
Hydraulic units with electric valves, control cabinet and remote control		on request		

Other accessories

Designation	Part-No.	Price/unit EUR	Approx. weight unit/kg	Partgroup/ RST
T-delivery pipe 1m, ND	057614.009	271,00	12,3	5
Pressure gage up to 100 bar	057621.005	567,00	4,3	5
Lid	057627.009	51,50	2,4	5
Pipe attachment cpl.	052930.005	on request	0,9	5
Wall thickness gauge	277434.001	1020,00	0,9	7

This brochure is subject to permanent pricing. The quoted prices are not binding. On request we shall be pleased to submit a detailed quotation. 05/2003.