

Concrete Delivery line SK 100/4 LP 85 bar



ST 52 Plus low pressure SK 100/4 85 bar

Delivery line:

Operating pressure 85 bar, statically calculated for abrasive media

Delivery elbows:

Manganese hard cast or steel elbows with wear protection, large pipe elbows – wall thickness 6,3 mm

Delivery hoses:

Operating pressure 85 bar, 2 x safety, 4 steel cord inserts, wall thickness 14 mm with hardened squeeze-in sockets

Technical dimensions:

Pipe

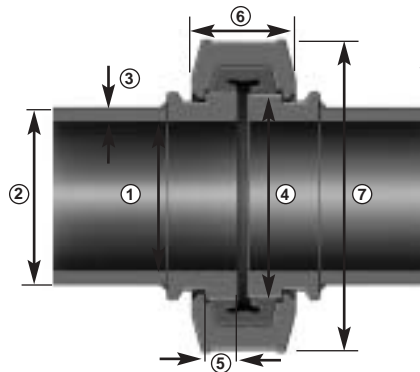
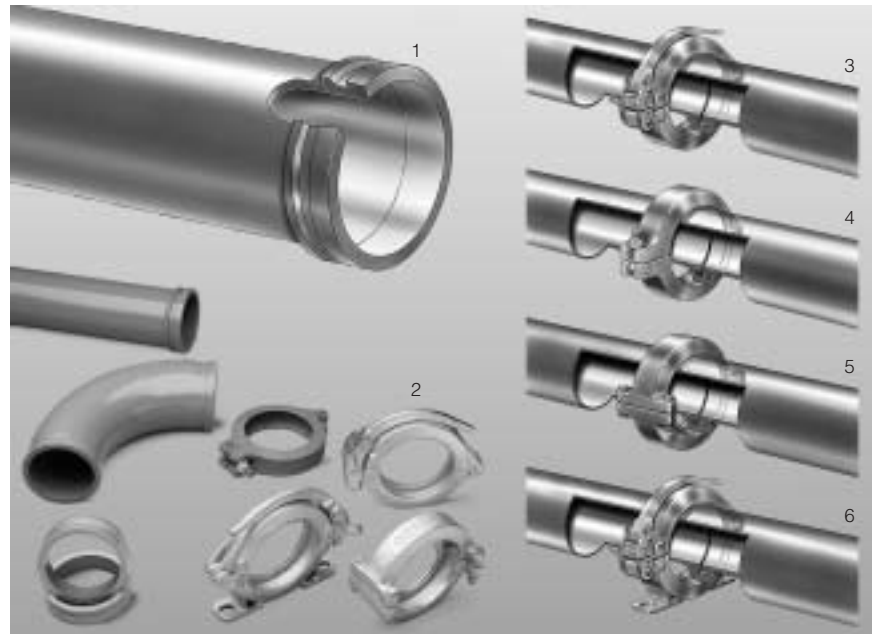
1. Inside diameter	100,8 mm
2. Outside diameter	108 mm
3. Wall thickness	3,6 mm
Weight	9,8 kg

Welding ring

4. Outside diameter	114,3 mm
5. Shoulder measurement	17 mm

Lever coupling

6. Width	38 mm
7. Outside diameter (incl. lever)	228 mm



Couplings / Seals

Designation	Part-No.	Price/unit EUR	Approx. weight unit/kg	Partgroup/ RST
Lever coupling SK-H	018281.002	35,30	3,8	6
Lever coupling SK-H with riveted seal	018282.001	71,10	3,6	6
Screw coupling SK-S	080086.002	113,60	3,0	5
Mounting coupling SK-H	018280.003	83,90	3,5	5
Seal A non-divided	001769.007	2,50	0,1	6
Seal A viton	080679.008	on request	0,2	5
Seal B divided	001774.005	2,60	0,1	5
Seal C tripple-lip	051517.005	4,00	0,1	6
Safety split pin	018878.004	2,50	0,1	6

Delivery pipes

Designation	Part-No.	Price/unit EUR	Approx. weight unit/kg	Partgroup/ RST
Delivery pipe 500 lg	001759.004	48,30	6,0	6
Delivery pipe 1000 lg	001761.005	48,30	10,0	6
Delivery pipe 2000 lg	001762.004	57,90	18,1	6
Delivery pipe 3000 lg	001763.003	75,40	30,0	6
Delivery pipe 6000 lg	028921.006	on request	60,0	5
Raw pipe approx. 6000 lg	005372.005	on request	9,8	5
Welding ring	018253.001	8,30	0,6	6

Standard concrete delivery line DN 100 mm - 4; 50 m long, consisting of:

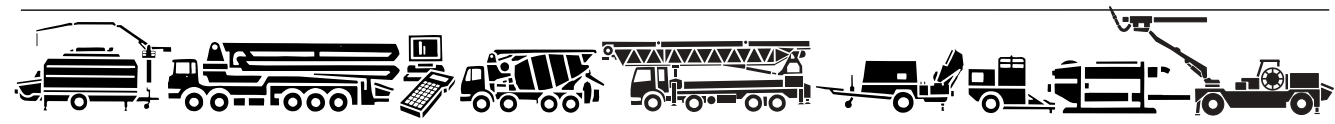
Amount	Designation	Part no.	Price/unit EUR	Approx. weight/ unit/kg
15	Delivery pipe 3000 lg	001763.003	75,40	30,0
2	Delivery pipe 2000 lg	001762.004	57,90	18,1
1	Delivery pipe 1000 lg	001761.005	48,30	10,0
3	Delivery pipe elbow 90°	086110.008	153,00	11,0
2	Delivery pipe elbow 45°	018301.005	170,00	4,4
25	Lever coupling SK-H	018281.002	35,30	3,8
25	Seal	001769.007	2,50	0,1
25	Safety split pin	018878.004	2,50	0,1
1	Delivery hose 3000 lg	016150.009	373,00	32,0
4	Sponge ball	016091.003	7,10	0,2
	Total		3465,80	670,8

Standard concrete delivery line DN 100 mm - 4; 100 m long, consisting of:

Amount	Designation	Part no.	Price/unit EUR	Approx. weight/ unit/kg
32	Delivery pipe 3,0 m	001763.003	75,40	30,0
2	Delivery pipe 2,0 m	001762.004	57,90	18,1
2	Delivery pipe 1,0 m	001761.005	48,30	10,0
6	Delivery pipe elbow 90°	086110.008	153,00	11,0
2	Delivery pipe elbow 45°	018301.005	170,00	4,4
45	Lever coupling SK-H	018281.002	35,30	3,8
45	Seal	001769.007	2,50	0,1
45	Safety split pin	018878.004	2,50	0,1
1	Delivery hose 3000 lg	016150.009	373,00	32,0
6	Sponge ball	016091.003	7,10	0,2
	Total		6035,90	1304,2

Standard concrete delivery line DN 100 mm - 4; 200 m lang, bestehend aus:

Amount	Designation	Part no.	Price/unit EUR	Approx. weight/ unit/kg
65	Delivery pipe 3000 lg	001763.003	75,40	30,0
2	Delivery pipe 2000 lg	001762.004	57,90	18,1
1	Delivery pipe 1000 lg	001761.005	48,30	10,0
10	Delivery pipe elbow 90°	086110.008	153,00	11,0
2	Delivery pipe elbow 45°	018301.005	170,00	4,4
1	Delivery pipe elbow 30°	021527.009	170,00	3,4
82	Lever coupling SK-H	018281.002	35,30	3,8
82	Seal	001769.007	2,50	0,1
82	Safety split pin	018878.004	2,50	0,1
1	Delivery hose 3000 lg	016150.009	373,00	32,0
10	Sponge ball	016091.003	7,10	0,2
	Total		10705,30	2490,4



Putzmeister Products and Services:

- PM-Concrete Pumps
- PM-Systems Engineering PAT
- PM-Telebelt
- PM-Mörtelmaschinen GmbH
- PM-Dynajet High Pressure Cleaners
- PM-Services
- PM-Concrete Project Division CPD
- PM-Consulting und Data Technology PCD
- PM-Academie GmbH



Putzmeister AG
Max-Eyth-Str. 10 · D-72631 Aichtal
P.O. Box 2152 · D-72629 Aichtal
Tel. +49 (71 27) 599-0
Fax +49 (71 27) 599-520
Internet: <http://www.putzmeister.de>
E-mail: pmw@pmw.de

Compensation pipe, complete

Designation	Part-No.	Price/unit EUR	Approx. weight unit/kg	Partgroup/ RST
Compensation pipe up to 500 lg	224785.004	63,50	5,0	5
Compensation pipe 501 - 1000 lg	224786.003	72,70	10,0	5
Compensation pipe 1001 - 1500 lg	054154.009	82,50	15,4	5
Compensation pipe 1501 - 2000 lg	082695.006	91,70	19,4	5
Compensation pipe 2001 - 2500 lg	057312.000	101,00	24,6	5
Compensation pipe 2501 - 3000 lg	082697.004	110,00	28,4	5
Compensation pipe 3001 - 3500 lg	057313.009	122,00	33,5	5
Compensation pipe 3501 - 4000 lg	082699.002	131,00	38,5	5
Compensation pipe 4001 - 4500 lg	054155.008	141,00	43,7	5

Delivery pipe elbows

Designation	Part-No.	Price/unit EUR	Approx. weight unit/kg	Partgroup/ RST
Delivery pipe elbow 15°	026888.002	202,00	2,2	5
Delivery pipe elbow 30°	021527.009	170,00	3,4	6
Delivery pipe elbow 45°	018301.005	170,00	4,4	6
Delivery pipe elbow 90° Cast	086110.008	153,00	11,0	6
Delivery pipe elbow 90° r = 180 Cast	058303.005	162,00	3,6	6

Big radius elbows

Designation	Part-No.	Price/unit EUR	Approx. weight unit/kg	Partgroup/ RST
Big radius elbow 30° HD, r= 1000	057645.007	on request		5
Big radius elbow 45° HD, r= 1000	051816.007	615,00		5
Big radius elbow 90° HD, r= 1000	057704.003	633,00		5

Delivery hoses, fixed on both sides

Designation	Part-No.	Price/unit EUR	Approx. weight unit/kg	Partgroup/ RST
Delivery hose 2000 lg	027624.003	345,00		5
Delivery hose 2100 lg	220286.002	351,00		6
Delivery hose 2850 lg	016150.009	373,00	32,0	6
Delivery hose 4000 lg	089624.009	470,00	44,0	6
Delivery hose 5000 lg	001755.008	571,00	52,5	6
Delivery hose 6000 lg	027631.009	646,00	62,0	6
Delivery hose 6700 lg	001781.001	660,00	63,0	6
Delivery hose 10000 lg	001756.007	885,00	95,0	6

End hoses, fixed on one side

Designation	Part-No.	Price/unit EUR	Approx. weight unit/kg	Partgroup/ RST
End hose 3000 lg	233646.008	348,00	27,5	6
Raw hose without fixing	227109.001	on request		5
End hose lock	266451.008	185,00	0,6	5
Delivery hose screw fitting	087116.001	169,00	3,7	5
Holder for end hose	054370.003	403,00	7,5	5

Reductions/transition pieces

Designation	Part-No.	Price/unit EUR	Approx. weight unit/kg	Partgroup/ RST
Reduction 120/5" - 100/4", 1000 lg	053335.007	206,00	18,0	6
Reduction 125/5,5" - 100/4", 1000 lg	022216.005	203,00	18,3	6
Reduction 100/4" - 65/3", 1000 lg	057330.008	203,00	11,3	6
Reduction SK 100/4" - PXM 65/3", 1000 lg	256247.002	219,00	11,4	6
Reduction SK 150/6" - SK 100/4", 500 lg	21520.006	330,00	11,0	5

Cleaning accessories

Designation	Part-No.	Price/unit EUR	Approx. weight unit/kg	Partgroup/ RST
Sponge ball soft	230227.006	7,10	0,2	6
Sponge ball average	016091.003	7,10	0,2	6
Sponge ball hard	234053.001	10,00	0,3	6
Sponge cube for suction cleaning	243861.006	3,00	0,2	5
Sponge scraper for truck-mounted concrete pumps	256126.000	8,70	0,3	6
Cleaning scraper for stationary lines	253952.002	93,20	1,3	5
Catching basket for sponge ball	277920.007	on request		5
Cleaning connection	021410.006	158,00	5,5	5
Cleaning lid for water supply	054372.001	48,60	1,5	5

Shut-off valves / Transfer tubes and accessories

Designation	Part-No.	Price/unit EUR	Approx. weight unit/kg	Partgroup/ RST
Manual shut-off valve GVM 2/2, 20 bar	220087.007	265,00	9,3	5
Manual shut-off valve GVM 2/2, 130 bar	050318.001	1133,00	35,1	5
Hydr. shut-off valve GVH 2/2 130 bar	028891.000	on request		5
Hydr. shut-off valve DVH 5/2, 85 bar, with end switch	220749.002	7817,00		5
Hydr. shut-off valve DVH 5/2, 85 bar	220797.009	on request		5
Hydraulic unit hand pump without accumulator	293604.006	1316,00	37,0	5
Electric-hydraulic unit hand control valve up to 315 bar	050485.002	5595,00	190,0	5
Connection accessories for shut-off valve on concrete pump consisting of:				
control block 220 bar, hydraulic hoses with fittings	025105.003	848,00	8,2	5
Hydr. connection hose RAD 12 à 5 m length				
- concrete pump to shut-off valve (min. 4 pcs. required)	042950.008	89,20	3,2	5
Hydr. connection hose RAD 12 à 10 m length				
- concrete pump to shut-off valve (min. 2 pcs. required)	240583.002	141,00	7,0	5
Fittings B-GV 12 L (2 pcs. required)	043236.006	8,20	0,1	5
Hydraulic units with electric valves, control cabinet and remote control		on request		

Other accessories

Designation	Part-No.	Price/unit EUR	Approx. weight unit/kg	Partgroup/ RST
T-delivery pipe 1 m, ND	279227.009	369,00	12,3	5
Pressure gauge up to 100 bar	081193.004	624,00	3,8	5
Lid	022661.003	46,60	1,5	5
Pipe attachment cpl.	052930.005	on request	0,9	5
Rotary distributor RVO	051832.007	on request		5
Wall thickness gauge	277434.001	1020,00	0,9	7

This brochure is subject to permanent pricing. The quoted prices are not binding. On request we shall be pleased to submit a detailed quotation. 05/2003.