

Concrete Delivery line SK 65/3 LP 85 bar



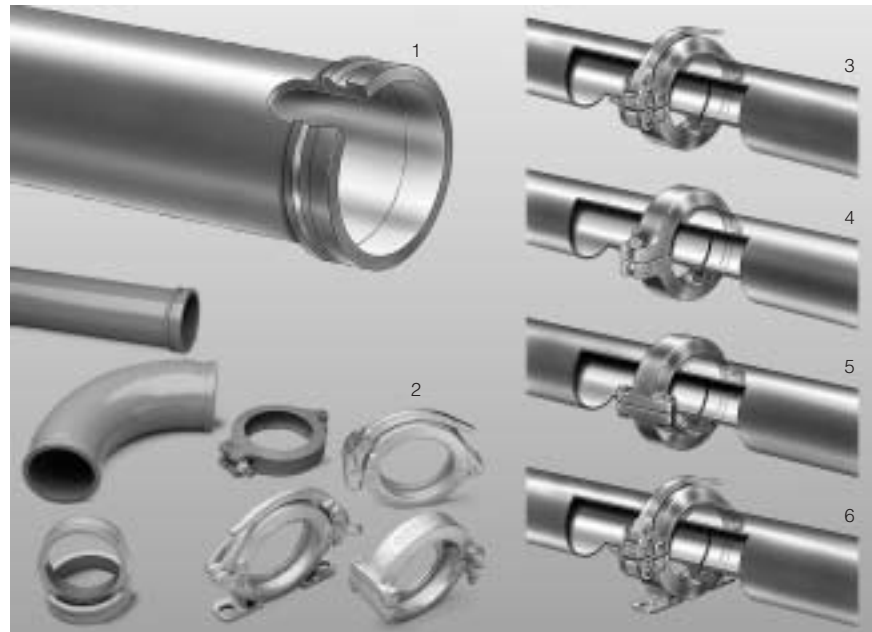
ST 52 Plus low pressure SK 65/3 85 bar

Delivery line:

Operating pressure 85 bar, statically calculated for abrasive media

Delivery hoses:

Operating pressure 85 bar, 2 x safety, 4 steel cord inserts, wall thickness 12 mm with hardened squeeze-in sockets



Technical dimensions:

Pipe

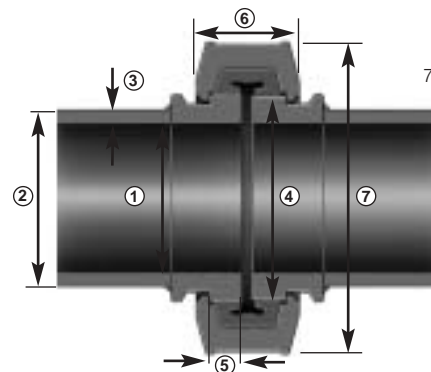
1. Inside diameter	63,6 mm
2. Outside diameter	70 mm
3. Wall thickness	3,2 mm
Weight	4,7 kg

Welding ring

4. Outside diameter	88,8 mm
5. Shoulder measurement	16 mm

Lever coupling

6. Width	46 mm
7. Outside diameter (incl. lever)	198 mm



Couplings / Seals

Designation	Part-No.	Price/unit EUR	Approx. weight unit/kg	Partgroup/ RST
Lever coupling	SK-H 059505.006	22,90	2,7	6
Screw coupling	SK-S 262732.006	on request		
Mounting coupling	SK-H 028809.005	130,00	3,3	5
Seal A	non-divided 064084.004	1,50	0,1	6
Safety split pin	018878.004	2,50	0,1	6

Delivery pipes

Designation	Part-No.	Price/unit EUR	Approx. weight unit/kg	Partgroup/ RST
Delivery pipe 500 lg	224781.008	75,40		6
Delivery pipe 1000 lg	057727.006	75,40	6,1	6
Delivery pipe 2000 lg	057728.005	80,10	10,0	6
Delivery pipe 3000 lg	057729.004	93,70	20,0	6
Delivery pipe 6000 lg	222708.009	188,00		6
Raw pipe approx. 6000 lg	005370.007	14,10		
Welding ring	057712.008	9,20	0,8	6

Standard concrete delivery line DN 65 mm - 3; 50 m long, consisting of:

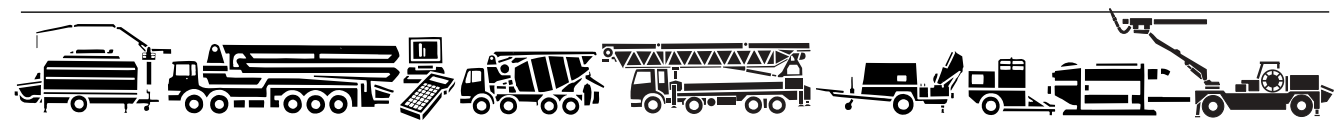
Amount	Designation	Part no.	Price/unit EUR	Approx. weight/ unit/kg
15	Delivery pipe 3000 lg	057729.004	93,70	20,0
2	Delivery pipe 2000 lg	057728.005	80,10	10,0
1	Delivery pipe 1000 lg	057727.006	75,40	6,1
3	Delivery pipe elbow 90°	057756.006	97,90	4,5
2	Delivery pipe elbow 45°	057758.004	85,30	3,0
25	Lever coupling SK-H	059505.006	22,90	2,7
25	Seal	064084.004	1,50	0,1
25	Safety split pin	018878.004	2,50	0,1
1	Delivery hose 5000 lg	059170.004	477,00	50,0
4	Sponge ball	000246.000	3,10	0,1
	Total		3108,20	468,5

Standard concrete delivery line DN 65 mm - 3; 200 m long, consisting of:

Amount	Designation	Part no.	Price/unit EUR	Approx. weight/ unit/kg
32	Delivery pipe 3000 lg	057729.004	93,70	20,0
2	Delivery pipe 2000 lg	057728.005	80,10	10,0
2	Delivery pipe 1000 lg	057727.006	75,40	6,1
6	Delivery pipe elbow 90°	057756.006	97,90	4,5
2	Delivery pipe elbow 5°	057758.004	85,30	3,0
45	Lever coupling SK-H	059505.006	22,90	2,7
45	Seal	064084.004	1,50	0,1
45	Safety split pin	018878.004	2,50	0,1
1	Delivery hose 5000 lg	059170.004	477,00	50,0
6	Sponge ball	000246.000	3,10	0,1
	Total		5630,00	886,3

Standard concrete delivery line DN 65 mm - 3; 200 m long, consisting of:

Amount	Designation	Part no.	Price/unit EUR	Approx. weight/ unit/kg
65	Delivery pipe 3000 lg	057729.004	93,70	20,0
2	Delivery pipe 2000 lg	057728.005	80,10	10,0
1	Delivery pipe 1000 lg	057727.006	75,40	6,1
10	Delivery pipe elbow 90°	057756.006	97,90	4,5
2	Delivery pipe elbow 45°	057758.004	85,30	3,0
1	Förderrohrbogen 30°	057759.003	85,30	2,5
82	Lever coupling SK-H	059505.006	22,90	2,7
82	Seal	064084.004	1,50	0,1
82	Safety split pin	018878.004	2,50	0,1
1	Delivery hose 5000 lg	059170.004	477,00	50,0
10	Sponge ball	000246.000	3,10	0,1
	Total		10166,40	1668,4



Putzmeister Products and Services:

- PM-Concrete Pumps
- PM-Systems Engineering PAT
- PM-Telebelt
- PM-Mörtelmaschinen GmbH
- PM-Dynajet High Pressure Cleaners
- PM-Services
- PM-Concrete Project Division CPD
- PM-Consulting und Data Technology PCD
- PM-Academie GmbH



Putzmeister AG
Max-Eyth-Str. 10 · D-72631 Aichtal
P.O. Box 2152 · D-72629 Aichtal
Tel. +49 (71 27) 599-0
Fax +49 (71 27) 599-520
Internet: <http://www.putzmeister.de>
E-mail: pmw@pmw.de

Compensation pipe, complete

Designation	Part-No.	Price/unit EUR	Approx. weight unit/kg	Partgroup/ RST
Compensation pipe up to 500 lg	on request			5
Compensation pipe 501 - 1000 lg	on request			5
Compensation pipe 1001 - 1500 lg	on request			5
Compensation pipe 1501 - 2000 lg	on request			5
Compensation pipe 2001 - 2500 lg	on request			5
Compensation pipe 2501 - 3000 lg	on request			5
Compensation pipe 3001 - 3500 lg	on request			5
Compensation pipe 3501 - 4000 lg	on request			5
Compensation pipe 4001 - 4500 lg	on request			5

Delivery pipe elbows

Designation	Part-No.	Price/unit EUR	Approx. weight unit/kg	Partgroup/ RST
Delivery pipe elbow 15°	057760.005	81,60	2,0	6
Delivery pipe elbow 30°	057759.003	85,30	2,5	6
Delivery pipe elbow 45°	057758.004	85,30	3,0	6
Delivery pipe elbow 90°	057756.006	97,90	4,5	6

Big radius elbows

Designation	Part-No.	Price/unit EUR	Approx. weight unit/kg	Partgroup/ RST
Big radius elbow 15° HD, r= 1000	on request			6
Big radius elbow 30° HD, r= 1000	on request			6
Big radius elbow 45° HD, r= 1000	on request			6
Big radius elbow 90° HD, r= 1000	on request			6

Delivery hoses, fixed on both sides

Designation	Part-No.	Price/unit EUR	Approx. weight unit/kg	Partgroup/ RST
Delivery hose 4500 lg	253306.001	284,00	24,0	6
Delivery hose 5000 lg	057886.002	288,00	24,0	6
Delivery hose 10000 lg	059170.004	477,00	50,0	6
Delivery hose 20000 lg	082238.007	1012,00	80,0	6

End hoses, fixed on one side

Designation	Part-No.	Price/unit EUR	Approx. weight unit/kg	Partgroup/ RST
End hose 1500 lg	268387.002	on request		6
End hose 4000 lg	267544.008	294,00		6
Raw hose without fixing	242270.009	on request		6
End hose lock	266458.001	on request		6

Reductions / transition pieces

Designation	Part-No.	Price/unit EUR	Approx. weight unit/kg	Partgroup/ RST
Transition piece 65/3" - R2"	291003.007	76,90	1,8	5
Transition piece 120/5" - 100/4", 100 lg	082731.009	175,00	3,1	5
Reduction 100/4" - 65/3, 1000 lg	057330.008	203,00	11,3	6
Reduction 125/5,5" - 100/4,5"; 500 lg	057603.007	151,00	9,9	6
Reduction 125/5,5" - 100/4,5"; 1000 lg	057604.006	204,00	18,0	6
Reduction 100/4,5" - 65/3", 1000 lg	224269.009	174,00	13,8	6

Cleaning accessories

Designation	Part-No.	Price/unit EUR	Approx. weight unit/kg	Partgroup/ RST
Sponge ball average	000246.000	3,10	0,1	5
Sponge scraper for truck-mounted concrete pumps	257107.002	4,70	0,1	5
Catching basket for sponge ball	277920.007	305,00		5
Cleaning connection	081534.003	158,00	4,6	5
Cleaning lid for water supply	081886.007	45,80	0,9	6

Shut-off valves/Transfer tubes and accessories

Designation	Part-No.	Price/unit EUR	Approx. weight unit/kg	Partgroup/ RST
Manual shut-off valve GVM 2/2, 20 bar	230644.003	268,00	6,5	
Manual shut-off valve GVM 2/2, 130 bar	024306.007	755,00	19,3	5
Rotor distributor RVH 5/4, 85 bar	204363.006	on request		5
Rotor distributor RVH 7/6, 85 bar	204050.005	on request		5
S-transfer tube RVH 3/2, 85 bar	221143.005	7342,00	116,0	5
S-transfer tube RVH 3/2, 85 bar, with end switch	257106.003	on request		5
S-transfer tube RVM 3/2, 85 bar	221116.003	4916,00		5
Scraper charge unit PVH 6/2 - I	229789.005	on request		5
Hydraulic unit hand pump without accumulator	293604.006	1316,00	37,0	5
Electric-hydraulic unit hand control valve up to 315 bar	050485.002	5595,00	190,0	5
Connection accessories for shut-off valve on concrete pump consisting of:				
control block 220 bar, hydraulic hoses with fittings	025105.003	848,00	8,2	5
Hydr. connection hose RAD 12 à 5 m length - concrete pump to shut-off valve (min. 4 pcs. required)	042950.008	89,20	3,2	5
Hydr. connection hose RAD 12 à 10 m length - concrete pump to shut-off valve (min. 2 pcs. required)	240583.002	141,00	7,0	5
Fittings B-GV 12 L (2 pcs. required)	043236.006	8,20	0,1	5
Hydraulic units with electric valves, control cabinet and remote control		on request		

Other accessories

Designation	Part-No.	Price/unit EUR	Approx. weight unit/kg	Partgroup/ RST
Lid	080389.000	38,50	1,0	5
Pipe attachment cpl.	023795.004	on request		5
Wall thickness gauge	277434.001	1020,00	0,9	7

This brochure is subject to permanent pricing. The quoted prices are not binding. On request we shall be pleased to submit a detailed quotation. 05/2003.