

# Concrete Delivery line SK 50/3 LP 60 bar



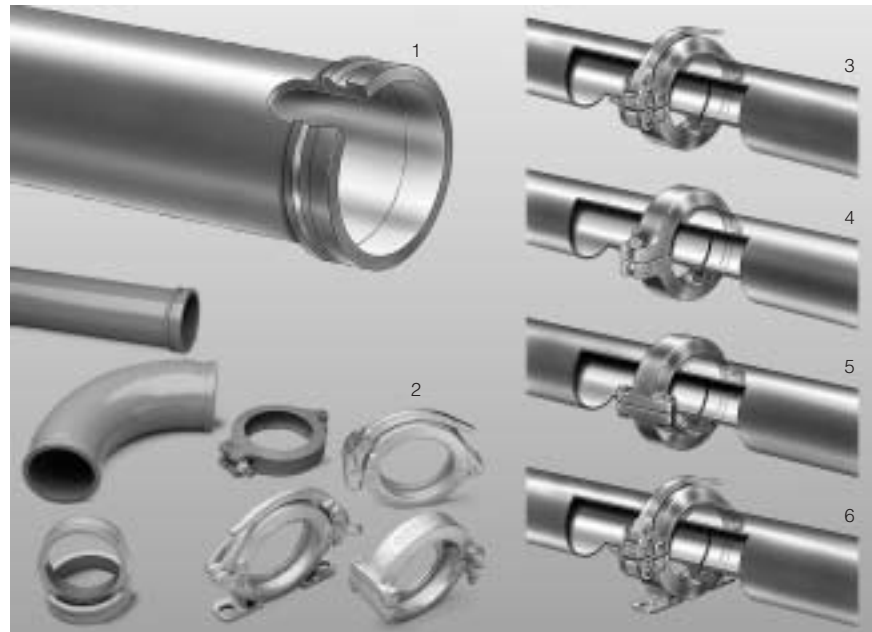
## ST 52 Plus low pressure SK 50/3 60 bar

### Delivery line:

Operating pressure 60 bar, statically calculated for abrasive media

### Delivery hoses:

Operating pressure 85 bar, 2 x safety, 4 steel cord inserts, wall thickness 12 mm with hardened squeeze-in sockets



### Technical dimensions:

#### Pipe

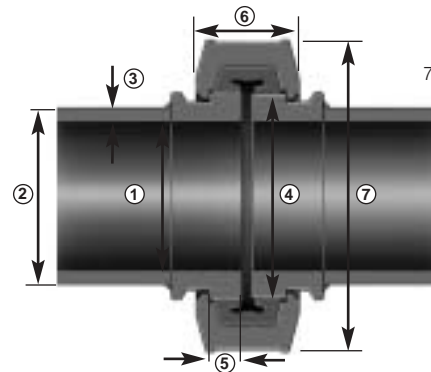
1. Inside diameter	50,6 mm
2. Outside diameter	57 mm
3. Wall thickness	3,2 mm
Weight	3,8 kg

#### Welding ring

4. Outside diameter	88,8 mm
5. Shoulder measurement	16 mm

#### Lever coupling

6. Width	46 mm
7. Outside diameter (incl. lever)	198 mm



### Couplings / Seals

Designation	Part-No.	Price/unit EUR	Approx. weight unit/kg	Partgroup/ RST
Lever coupling SK-H	059505.006	22,90	2,7	6
Mounting coupling SK-H	028809.005	130,00	3,3	5
Seal A non-divided	064084.004	1,50	0,1	6
Safety split pin	018878.004	2,50	0,1	6

### Delivery pipes

Designation	Part-No.	Price/unit EUR	Approx. weight unit/kg	Partgroup/ RST
Delivery pipe 500 lg	081782.004	99,80	7,0	5
Delivery pipe 1000 lg	081783.003	103,00		5
Delivery pipe 2000 lg	081784.002	111,00		5
Delivery pipe 3000 lg	081785.001	134,00	16,0	5
Delivery pipe 6000 lg	246804.002	on request		5
Raw pipe approx. 6000 lg	005369.005	on request		5
Welding ring	058684.009	10,00	1,1	6

### Standard concrete delivery line DN 50 mm - 3; 50 m long, consisting of:

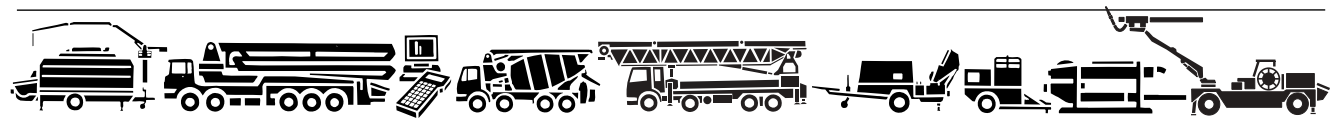
Amount	Designation	Part no.	Price/unit EUR	Approx. weight/ unit/kg
15	Delivery pipe 3000 lg	081785.001	134,00	16,0
2	Delivery pipe 2000 lg	081784.002	111,00	10,8
1	Delivery pipe 1000 lg	081783.003	103,00	6,5
3	Delivery pipe elbows 90°	081777.006	175,00	3,7
2	Delivery pipe elbows 45°	081779.004	141,00	3,0
25	Lever coupling SK-H	059505.006	22,90	2,7
25	Seal	064084.004	1,50	0,1
25	Safety split pin	018878.004	2,50	0,1
1	Delivery hose 2000 lg	050469.002	233,00	12,5
4	Sponge ball	000212.005	2,20	0,1
	<b>Total</b>		<b>4037,10</b>	<b>372,1</b>

### Standard concrete delivery line DN 50 mm - 3; 100 m long, consisting of:

Amount	Designation	Part no.	Price/unit EUR	Approx. weight/ unit/kg
32	Delivery pipe 3000 lg	081785.001	134,00	16,0
2	Delivery pipe 2000 lg	081784.002	111,00	10,8
2	Delivery pipe 1000 lg	081783.003	103,00	6,5
6	Delivery pipe elbows 90°	081777.006	175,00	3,7
2	Delivery pipe elbows 45°	081779.004	141,00	3,0
45	Lever coupling SK-H	059505.006	22,90	2,7
45	Seal	064084.004	1,50	0,1
45	Safety split pin	018878.004	2,50	0,1
1	Delivery hose 2000 lg	050469.002	233,00	12,5
6	Sponge ball	000212.005	2,20	0,1
	<b>Total</b>		<b>7432,00</b>	<b>718,4</b>

### Standard concrete delivery line DN 50 mm - 3; 200 m long, long, consisting of:

Amount	Designation	Part no.	Price/unit EUR	Approx. weight/ unit/kg
65	Delivery pipe 3000 lg	081785.001	134,00	16,0
2	Delivery pipe 2000 lg	081784.002	111,00	10,8
1	Delivery pipe 1000 lg	081783.003	103,00	6,5
10	Delivery pipe elbows 90°	081777.006	175,00	3,7
2	Delivery pipe elbows 45°	081779.004	141,00	3,0
1	Delivery pipe elbows 30°	081780.006	136,00	2,8
82	Lever coupling SK-H	059505.006	22,90	2,7
82	Seal	064084.004	1,50	0,1
82	Safety split pin	018878.004	2,50	0,1
1	Delivery hose 2000 lg	050469.002	233,00	12,5
10	Sponge ball	000212.005	2,20	0,1
	<b>Total</b>		<b>13495,30</b>	<b>1365,2</b>



#### Putzmeister Products and Services:

- PM-Concrete Pumps
- PM-Systems Engineering PAT
- PM-Telebelt
- PM-Mörtelmaschinen GmbH
- PM-Dynajet High Pressure Cleaners
- PM-Services
- PM-Concrete Project Division CPD
- PM-Consulting und Data Technology PCD
- PM-Academie GmbH



Putzmeister AG  
Max-Eyth-Str. 10 · D-72631 Aichtal  
P.O. Box 2152 · D-72629 Aichtal  
Tel. +49 (71 27) 599-0  
Fax +49 (71 27) 599-520  
Internet: <http://www.putzmeister.de>  
E-mail: [pmw@pmw.de](mailto:pmw@pmw.de)

### Compensation pipe, complete

Designation	Part-No.	Price/unit EUR	Approx. weight unit/kg	Partgroup/ RST
Compensation pipe up to 500 lg	on request			
Compensation pipe 501 - 1000 lg	on request			
Compensation pipe 1001 - 1500 lg	on request			
Compensation pipe 1501 - 2000 lg	on request			
Compensation pipe 2001 - 2500 lg	on request			
Compensation pipe 2501 - 3000 lg	on request			
Compensation pipe 3001 - 3500 lg	on request			
Compensation pipe 3501 - 4000 lg	on request			
Compensation pipe 4001 - 4500 lg	on request			

### Delivery pipe elbows

Designation	Part-No.	Price/unit EUR	Approx. weight unit/kg	Partgroup/ RST
Delivery pipe elbow 15°	081781.005	133,00	2,6	6
Delivery pipe elbow 30°	081780.006	136,00	2,8	6
Delivery pipe elbow 45°	081779.004	141,00	3,0	6
Delivery pipe elbow 90°	081777.006	175,00	3,7	6

### Big radius elbows

Designation	Part-No.	Price/unit EUR	Approx. weight unit/kg	Partgroup/ RST
Big radius elbow 15°, r= 1000	418374	on request		
Big radius elbow 30°, r= 1000	418373	on request		
Big radius elbow 45°, r= 1000	418371	on request		
Big radius elbow 90°, r= 1000	418370	on request		

### Delivery hoses, fixed on both sides

Designation	Part-No.	Price/unit EUR	Approx. weight unit/kg	Partgroup/ RST
Delivery hose 1000 lg	231457.008	198,00	9,0	6
Delivery hose 2000 lg	050469.002	233,00	12,5	6
Delivery hose 5000 lg	059039.006	296,00	25,0	6
Delivery hose 6000 lg	229110.001	on request		5
Delivery hose 10000 lg	059040.008	487,00	40,5	6
Delivery hose 20000 lg	059988.005	856,00		6
Delivery hose 3000 lg	050468.003	269,00	15,5	6
Delivery hose 4000 lg	050529.007	308,00		6
Delivery hose 3000 lg with reinforcement springs	243778.005	290,00		5
Delivery hose 4000 lg with reinforcement springs	027840.007	300,00		5

### End hoses, fixed on one side

Designation	Part-No.	Price/unit EUR	Approx. weight unit/kg	Partgroup/ RST
End hose 3000 lg		on request		5
End hose 4000 lg	292072.008	on request		5
Raw hose without fixing	242269.007	on request		5

### Reductions/transition pieces

Designation	Part-No.	Price/unit EUR	Approx. weight unit/kg	Partgroup/ RST
Transition piece 50/3" - R2"	027716.005	17,90	0,9	5
Reduction 125/5,5" - 100/4,5", 500 lg	057603.007	151,00	9,9	6
Reduction 125/5,5" - 100/4,5", 1000 lg	057604.006	204,00	18,0	6
Reduction 100/4" - 50/3", 1500 lg	081786.000	389,00	16,0	5
Reduction 100/4,5" - 50/3", 1500 lg	238508.002	493,00	28,0	5
Transition piece 120/5" - 100/4", 100 lg	082731.009	175,00	3,1	5
Reduction 100/4" - 65/3", 1000 lg	057330.008	203,00	11,3	6
Reduction 65/3" - 50/3", 1000 lg	058670.000	169,00	9,4	6

### Cleaning accessories

Designation	Part-No.	Price/unit EUR	Approx. weight unit/kg	Partgroup/ RST
Sponge ball average	000212.005	2,10		
Sponge ball hard	233494.001	2,40		5
Catching basket DN 65 - for sponge ball	277920.007	305,00		5
Cleaning connection SK 50-3	081534.003	153,00	4,6	5
Cleaning lid for water supply	081886.007	44,50	0,9	5

### Shut-off valves / Transfer tubes and accessories

Designation	Part-No.	Price/unit EUR	Approx. weight unit/kg	Partgroup/ RST
Rotor distributor RVH 7/6	204110.000	on request		5
S-transfer tube RVH 3/2, 85 bar	231090.009	on request		5
S-transfer tube RVH 3/2, 85 bar, with end switch	257111.001	on request		5
S-transfer tube RVM 3/2, 85 bar	221108.008	on request	37,0	5
Hydraulic unit with hand pump without accumulator	293604.006	1316,00		5
Electric-hydraulic unit with hand control valve up to 315 bar	050485.002	5595,00	190,0	5
Connection accessories for shut-off valve on concrete pump consisting of:				
control block 220 bar, hydraulic hoses with fittings	025105.003	848,00	8,2	5
Hydr. connection hose RAD 12 à 5 m length				
- concrete pump to shut-off valve (min. 4 pcs. required)	042950.008	89,20	3,2	5
Hydr. connection hose RAD 12 à 10 m length				
- concrete pump to shut-off valve (min. 2 pcs. required)	240583.002	141,00	7,0	5
Fittings B-GV 12 L(2 pcs. required)	043236.006	8,20	0,1	5
Hydraulic units with electric valves, control cabinet and remote control		on request		

### Other accessories

Designation	Part-No.	Price/unit EUR	Approx. weight unit/kg	Partgroup/ RST
T-delivery pipe 1 m, ND	256530.007	on request		5
Lid	080389.000	38,50	1,0	5
Pipe attachment cpl.	023794.005	on request		5
Wall thickness				
Gauge	277434.001	1020,00	0,9	7

This brochure is subject to permanent pricing. The quoted prices are not binding. On request we shall be pleased to submit a detailed quotation. 05/2003.