

Liquid Dosing Unit

Liquid Dosing Unit Aliva[®]-403.5

Description

The dosing unit Aliva-403.5 for liquid accelerators enables an infinite setting of accelerator for small as well as for big quantities.

The BASIC-Version is equipped with a simple control which is done entirely on the dosing unit itself, i.e. the amount of additive is set manually by means of a dosing knob and thus cannot be synchronized with a concrete spraying machine.

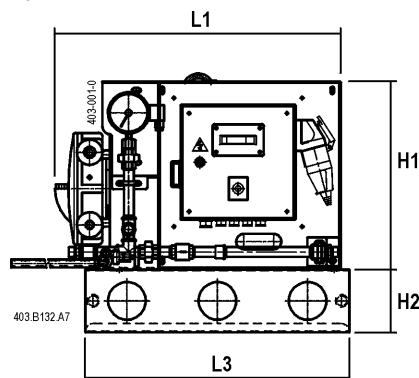
The EXTENDED-Version can be connected and synchronized by means of a control cable with a concrete spraying machine. If the conveying capacity of the concrete spraying machine is changed, automatically the amount of additive which is set by means of the dosing knob will proportionally be adjusted. Operating is carried out by means of remote control from the concrete spraying machine.

The air version is equipped with an air motor. The quantity of additives will be set by means of a valve (regulating el. motor speed) and will be displayed digitally.

The Aliva-403.5 is most suitable for the Aliva-263 / Aliva 285 / Aliva 278 and Aliva 279.

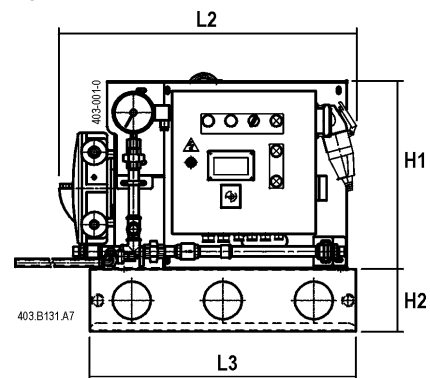
Dimensions

Typ BASIC



Length L1	755 mm
Length L3	700 mm
Width	546 mm
Height H1	520 mm
Height H2	166 mm
Weight Aliva-403.5	approx. 105 kg
Weight arch frame	approx. 15 kg

Typ EXTENDED



Length L2	780 mm
Length L3	700 mm
Width EXTENDED	546 mm
AIR	520 mm
Height H1	520 mm
Height H2	166 mm
Weight Aliva-403.5	approx. 130 kg
Weight arch frame	approx. 15 kg

Drive

Electric (BASIC/EXTENDED)

Motor output	1,1 kW
Voltages	380 - 460 V
	50/60 Hz
Protection	IP 55

with air motor (AIR)

Motor output	1,5kW
Pressure	4 bar
Air consumption	2,0 Nm ³ /min.



Caution

Technical and design modifications remain reserved at all times. Technical properties have been achieved under theoretical and normal conditions. Please consult the respective machine manual for all matters related to operations and maintenance.

Theoretical data**Conveying**

Conveying output	
EXTENDED	12-250 l/h*
BASIC + EXTENDED	30-700 l/h**
Output pressure max.	10 bar

* with the following tolerances (measured with water):

30 l/h \pm 1 l/h

700 l/h \pm 9 l/h

** with the following tolerances (measured with water):

12 l/h \pm 1 l/h

250 l/h \pm 5 l/h



Aliva-403.5. EXTENDED

