

## Telescope Spraying Arm

# Telescope Spraying Arm Aliva®-302

## Description

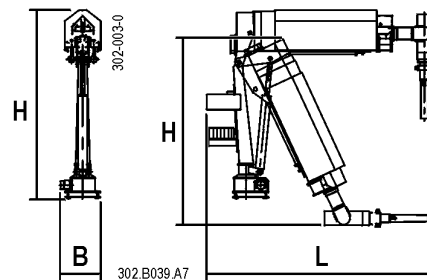
The telescope spraying arm Aliva-302 is used for the application of sprayed concrete in mines, small galleries and excavations.

Thanks to its simple and rigid construction, the Aliva-302 is very suitable for the mounting onto different types of carriers.

The telescope spraying arm Aliva-302 is available in 2 different types:

- Typ PROP  
Electric remote control (wireless remote control optional) hydraulic aggregate with electric motor
- Typ AIR  
Hydraulic remote control, hydraulic aggregate with air motor

## Dimensions



Transport length	2,45 m
Transport width	0,5 m
Transport height	2,0 m
Weight arm	approx. 550 kg
Weight aggregate (empty)	approx. 200 kg

## Aliva-302 PROP



## Drive hydraulic unit

### Electric

Motor output	5,5 kW
Voltages	400 V 50/60 Hz 440 V 60 Hz 220 V 50 Hz
Protection	IP 43
Oil pressure	180 bar
Oil quantity (big pump)	21 L/min.
Oil quantity (small pump)	3 L/min.
Tank volume	70 L

### air motor

Motor output	5 kW
Pressure	4,5 bar
Air consumption	6,6 Nm <sup>3</sup> /min.
Oil pressure	180 bar
Oil quantity (only 1 pump)	20 L/min.

## Accessories

### (Standard)

Remote control (AIR) hydraulic	5,5 m hose
Remote control (PROP) electric	15 m cable

### (Option)

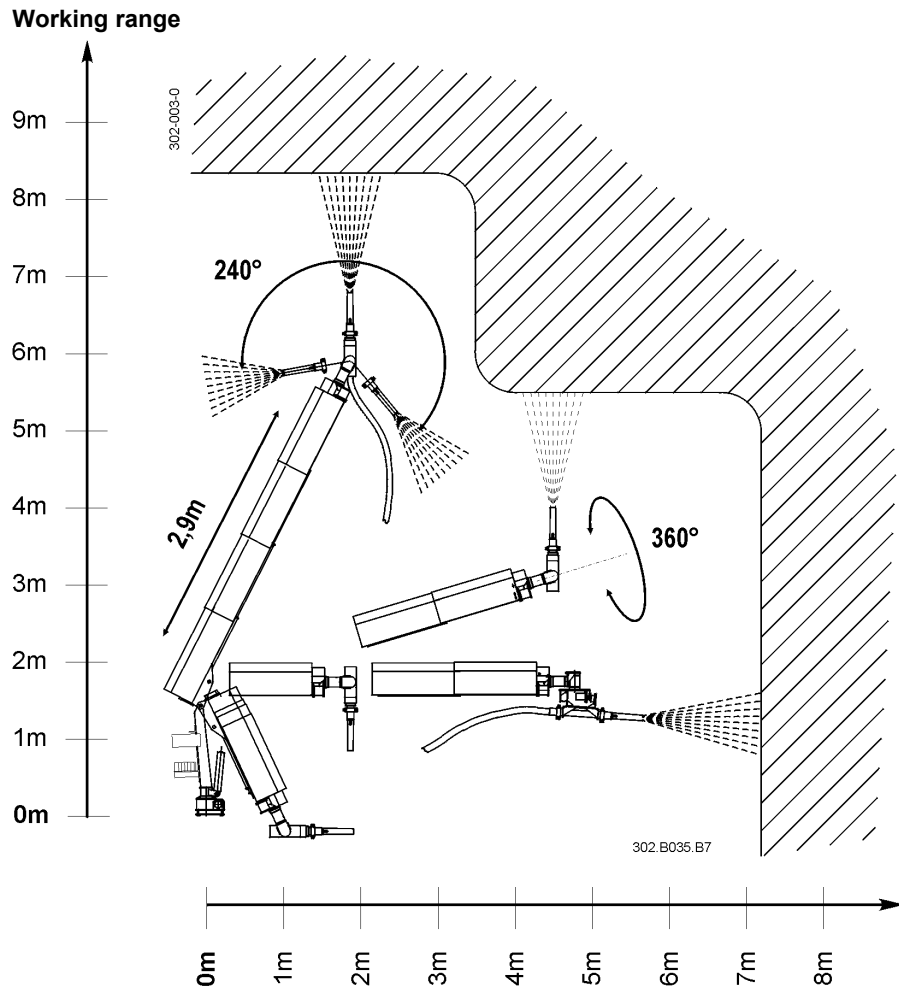
Remote control	wireless
----------------	----------



## Caution

Technical and design modifications remain reserved at all times. Technical properties have been achieved under theoretical and normal conditions. Please consult the respective machine manual for all matters related to operations and maintenance.

**Range /  
Movements**



**Movements**

Arm stroke 2,9 m  
 Arm rotation 360°

Spraying head 360°

Spraying head 240°

Nozzle endless

