

Concrete Spraying Machine

Concrete Spraying Machine Aliva[®]-246.5

Description

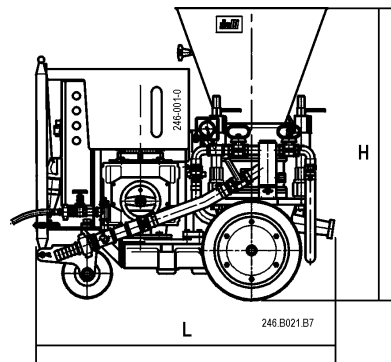
The Aliva-246.5 is a sturdy concrete spraying machine for the dry spraying process. Thanks to its variable output, the Aliva-246 can be used as well for small jobs, such as joint filling, as well for extensive slope consolidation work.

The Aliva-246.5 is available in the following versions:

- BASIC
Electric drive, combined with BASIC-Dosing unit (not synchronized)
- EXTENDED
Electric drive, combined with EXTENDED-Dosing unit (not synchronized)
- AIR
With air drive, combined with BASIC-Dosing unit (not synchronized)

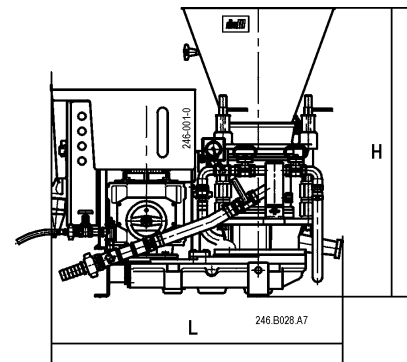
Dimensions

with chassis



Length L	
BASIC / AIR	1130 mm
EXTENDED	1200 mm
Width	700 mm
Height H	
with rotor 0,7 + 2,0 L	1110 mm
with rotor 3,6 L	1180 mm
with rotor 5,6 L	1260 mm
Weight	
BASIC / AIR	approx. 320 kg
EXTENDED	approx. 450 kg
Content of hopper	45 liters

with pedestal



Length L	
BASIC / AIR	1130 mm
EXTENDED	1170 mm
Width	700 mm
Height H	
with rotor 0,7 + 2,0 L	1020 mm
with rotor 3,6 L	1090 mm
with rotor 5,6 L	1170 mm
Weight	
BASIC / AIR	approx. 315 kg
EXTENDED	approx. 430 kg
Content of hopper	45 liters

Drive

Electric (BASIC / EXTENDED)

Motor output	2,2 kW
Speed range	
BASIC	1500 rpm
EXTENDED	700–1800 rpm
Voltages	400 V 50/60 Hz 440 V 60 Hz 220 V 50/60 Hz
Protection	IP 55

with air motor (AIR)

Motor output	3 kW
Speed range	700–1800 rpm
Pressure	3,5 bar
Air consumption	4 Nm ³ /min.



Caution

Technical and design modifications remain reserved at all times. Technical properties have been achieved under theoretical and normal conditions. Please consult the respective machine manual for all matters related to operations and maintenance.

Theoretical data**Conveying (only dry)**

Rotor l	Hose -Ø mm	Conveying output * (m ³ /h)		max. grain (mm)	max. conveying distance (m) horizontal / vertical
		BASIC	EXTENDED + AIR		
0,7	32	0,4	0,2 - 0,5	6	150 / 60**
2,0	32 + 38	1,1	0,6 - 1,4	12	
3,6	32 + 38	2,0	1,1 - 2,5	12	
5,6	50	3.2	1,7 - 4,0	16	

* with theoretical filling degree of 100%, if motor with 60 Hz = 20% higher conveying capacity

** more than 80 m conveying distance, use steel tubes

Air consumption

Hose -Ø mm	Air consumption (Nm ³ /min.) ***	
	Dry spraying	
	60 m	120 m
32	3	4
38	5	6
50	8	10

*** Air consumption data are approximate values and are depending on conveying output, conveying distance and hose diameter.

CAUTION:

For the configuration AIR (with air motor) it has to be considered:

Total air consumption =

Air consumption for conveying + Air consumption for air motor!

1 Nm³/min. = 35 cfm



Aliva-246.5 EXTENDED

